

Print Number:

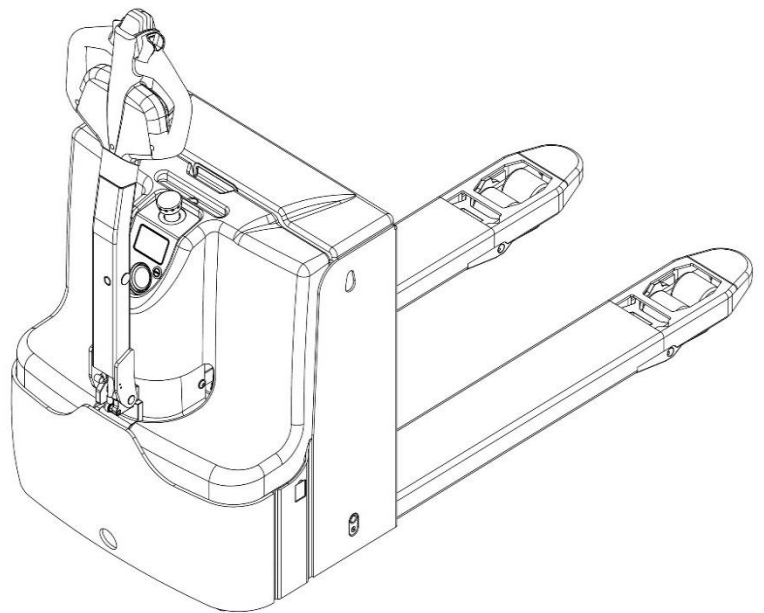
Print Date:

---

**Electric Pallet Truck PT20L-Li**

**PARTS MANUAL**

505146020101



Version: V05

Truck Identification Number From:

Parts Manual

PT20L-Li-PM05EN

---

Please order spare parts from authorized dealers of our Company.

In order to avoid wrong delivery, all the orders for spare parts should specify the following items:

- Truck model, identification number and manufacture year.
- Orders for spare parts of mast, hydraulic transmission unit, steering axle, motor, etc. shall indicate the manufacture number of these parts.
- Codes for Noblelift spare parts are shown in the table of parts manual. Please also pay attention to the description of supply status, order quantity, etc. (check the number listed in "Mark" column of the parts manual).

"Mark" Column:

The unmarked indicates the parts are in short supply cycle.

Number 1: supply as package. Indicating these that parts are small parts and seal parts, which are supplied in package unit and in short supply cycle.

Number 2: supply with constraints. Indicating that these spare parts are not in stock and will be prepared for production after receiving the order from customers, which are in long supply cycle.

Number 3: phasing-out supply. Indicating that these parts will be replaced by new parts due to technical improvements and the current stock will not be available when these parts run out. Please check the description of technical improvements notice.

Number 4: supply as assembly. Indicating that these parts are assembly parts defined by manufacture process, which cannot be supplied as a single part.

Number 5: check other tables.

This parts manual is the property of our company and can be shared under the confidential agreement only, our company has the right to claim for compensation of any unauthorized use. Copy without permission is not allowed. Figures in the manual are not limited by the original design. our company reserves the right to improve the products for continuous technology progress.

# Table of Contents

Chapter 1: Drive System.....	5
01 Drive Unit(505146013501).....	5
02 Drive Unit(Without turning deceleration) (505146013502) .....	7
03 Drive Assembly(505146013503) .....	9
03 Drive Assembly(505146013503) Continuation .....	11
Chapter 2: Hydraulic System .....	13
01 Hydraulic System (504646024001) .....	13
02 Hydraulic System(Built-in charger) (504646024002) .....	15
03 Hydraulic Power Unit (WB) (504646023501) .....	17
04 Hydraulic Power Unit (WB) (Built-in charger) (504646023502) .....	19
Chapter 3: Truck Frame .....	21
01 Truck Body (505146021501) .....	21
01 Truck Body (505146021501) Continuation .....	23
02 Truck Body(Built-in charger) (505146021502).....	25
02 Truck Body(Built-in charger) (505146021502) Continuation .....	27
03 Chassis (EU-lithium battery 100Ah) (504646038501) .....	29
04 Chassis (US-lithium battery 100Ah)(504646038502) .....	31
04 Chassis (US-lithium battery 100Ah)(504646038502)Continuation .....	33
05 Chassis (EU-lithium battery 150Ah) (505146038501) .....	35
06 Chassis (US-lithium battery 150Ah)(505146038502) .....	37
06 Chassis (US-lithium battery 150Ah)(505146038502) Continuation .....	39
Chapter 4: Steering System, Braking System, Wheels .....	41
01 Tiller (504446011001) .....	41
02 Tiller (566546010002) .....	43
03 Load Wheel (Tandem) (505646017001).....	45
04 Load Wheel (Single) (505646017002).....	47
05 Caster (504446016501) .....	49
Chapter 5: Electrical Parts .....	51
01 Display Assembly (504646010001) .....	51
02 Display Assembly(Built-in charger) (505146010001) .....	53
03 Wire Harness(100Ah、 F2A) (504646033001).....	55
04 Wire Harness(150Ah、 F2A) (505146033001).....	57
05 Controller(F2A) (504646033003).....	59
06 Charger-lithium battery 100Ah (504646036501) .....	61
07 Charger-lithium battery 150Ah (505146036501) .....	63
08 Built-in charger (505146036502) .....	65
09 lithium battery (505146037001) .....	67
Chapter 6: Special Parts .....	69
01 Load Backrest (504646040501) .....	69
Chapter 7: Others .....	71
01 Labels and Decals (EU) (505146047002).....	71
02 Labels and Decals (US) (505146047003).....	73

Appendix.....75

01 Hydraulic Circuit Diagram (504446045503) .....75

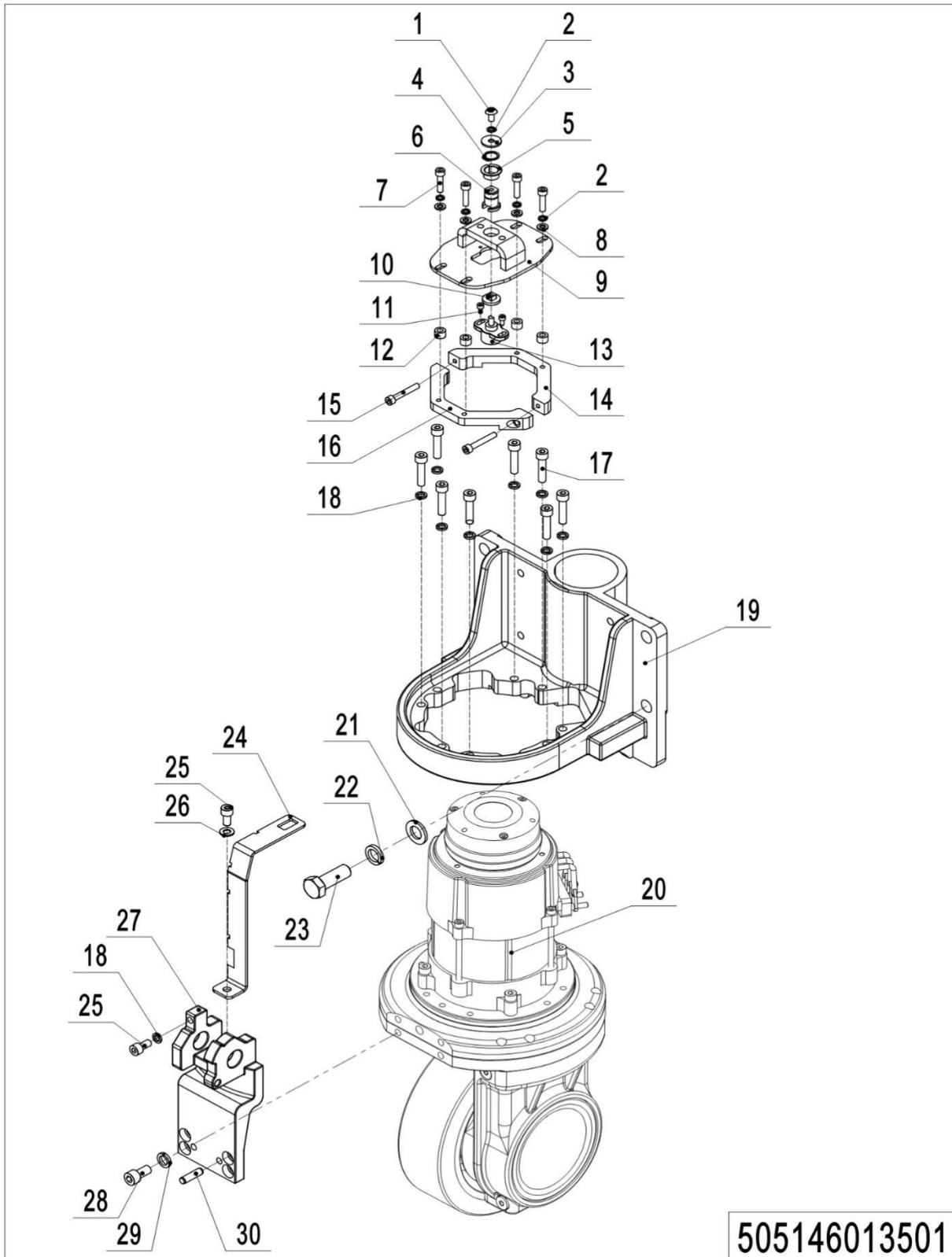
02 Electrical Circuit Diagram(F2A) (504646045501).....76

03 Electrical Circuit Diagram(F2A、 Built-in charger) (504646045503) .....77

04 Consumable Parts List .....78

## Chapter 1: Drive System

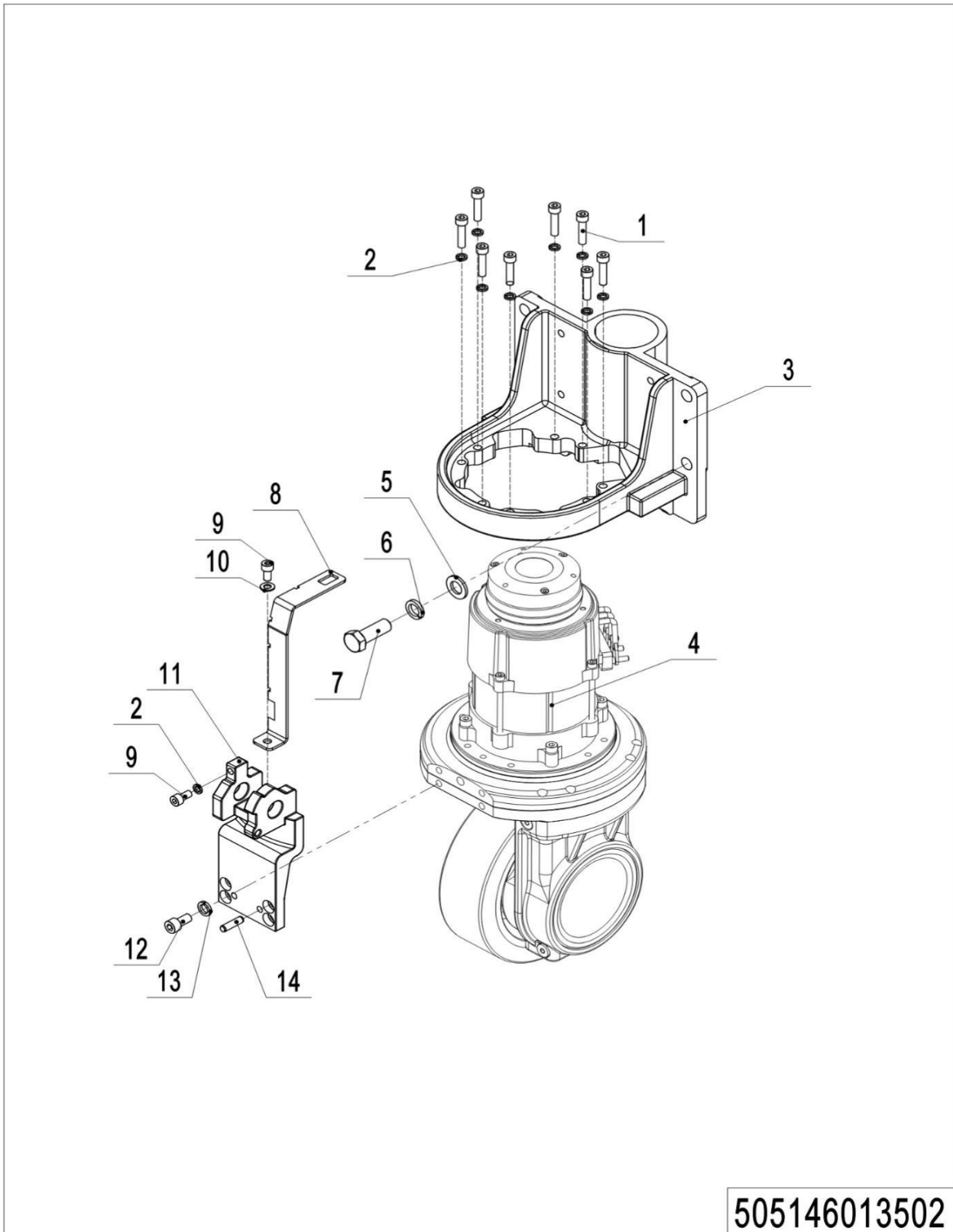
### 01 Drive Unit(505146013501)



505146013501

## 03 Drive Unit(505146013501)

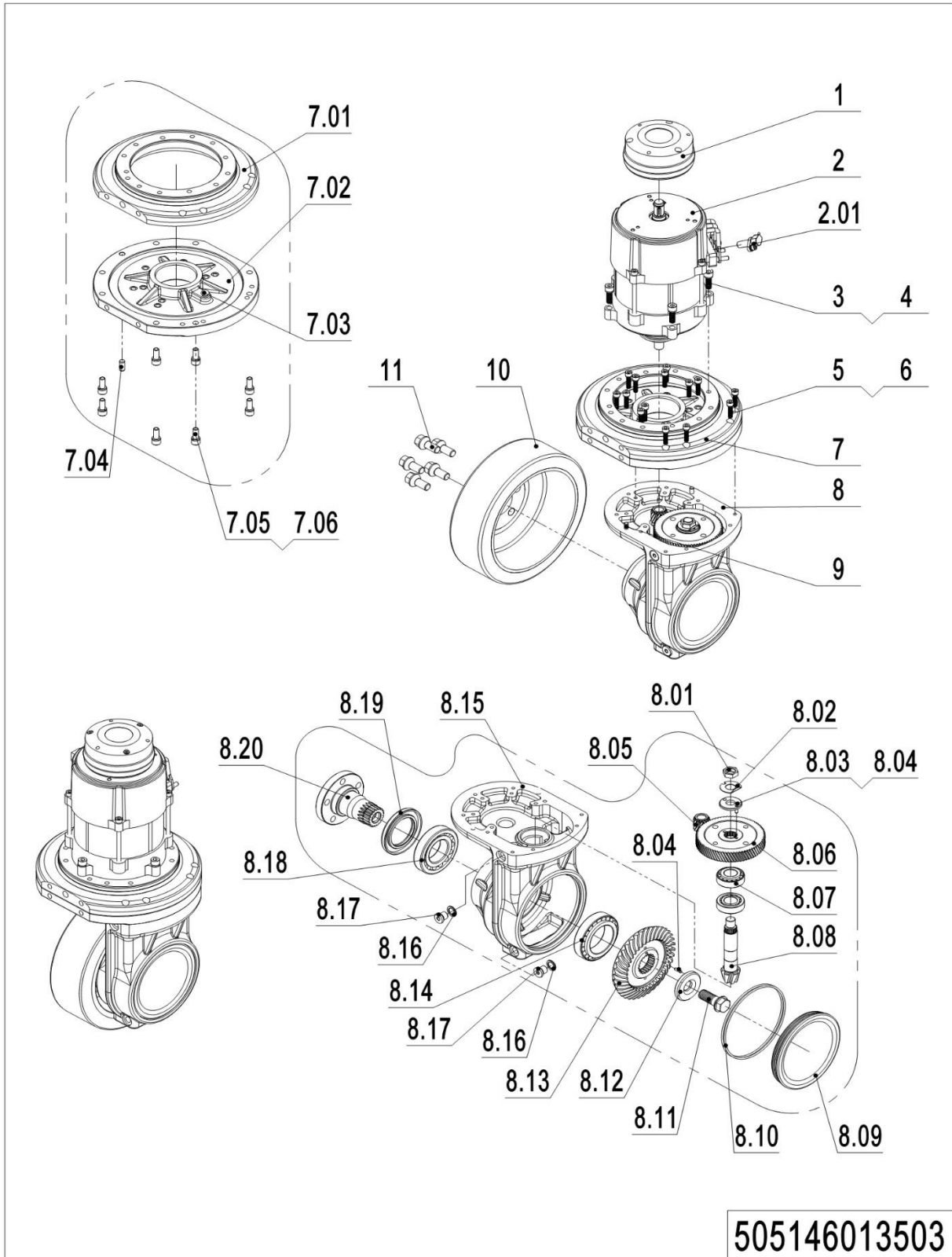
No.	Item Code	Mark	Item Description	Qty.	Substitute	Note
1	910200300017		Screw	1		
2	910400500005		Spring Washer	5		
3	534813520008		Washer	1		
4	910401300006		Check Ring	1		
5	940500200001		Bushing	1		
6	534813520001		Fixed Axle	1		
7	910200200038		Screw	4		
8	910400100005		Flat Washer	4		
9	504613510000		Mounting Base	1		
10	505631520003		Link Block	1		
11	910200200012		Screw	2		
12	504613520001		Spacer	4		
13	504633510000		Sensor	1		
14	504613520003		Mounting Plate	1		
15	910200200041		Screw	1		
16	504613520002		Mounting Plate	1		
17	910200200060		Screw	8		
18	910400500006		Spring Washer	9		
19	505013520001		Wheel Mount	1		
20	505113501003		Drive Unit	1		See 505146013503
21	910400100010		Flat Washer	4		
22	910400500010		Spring Washer	4		
23	910100300071		Bolt	4		
24	505113520000		Rod	1		
25	910200200055		Screw	2		
26	910400100006		Flat Washer	1		
27	534713520001		Bracket	1		
28	910200200075		Screw	4		
29	910400500007		Spring Washer	4		
30	910600400044		Spring Pin	2		

**02 Drive Unit(Without turning deceleration) (505146013502)**

## 02 Drive Unit(Without turning deceleration) (505146013502)

No.	Item Code	Mark	Item Description	Qty.	Substitute	Note
1	910200200060		Screw	8		
2	910400500006		Spring Washer	9		
3	505013520001		Wheel Mount	1		
4	505113501003		Drive Unit	1		See 505146013503
5	910400100010		Flat Washer	4		
6	910400500010		Spring Washer	4		
7	910100300071		Bolt	4		
8	505113520000		Bracket	1		
9	910200200055		Screw	2		
10	910400100006		Flat Washer	1		
11	534713520001		Bracket	1		
12	910200200075		Screw	4		
13	910400500007		Spring Washer	4		
14	910600400044		Spring Pin	2		

**03 Drive Assembly(505146013503)**

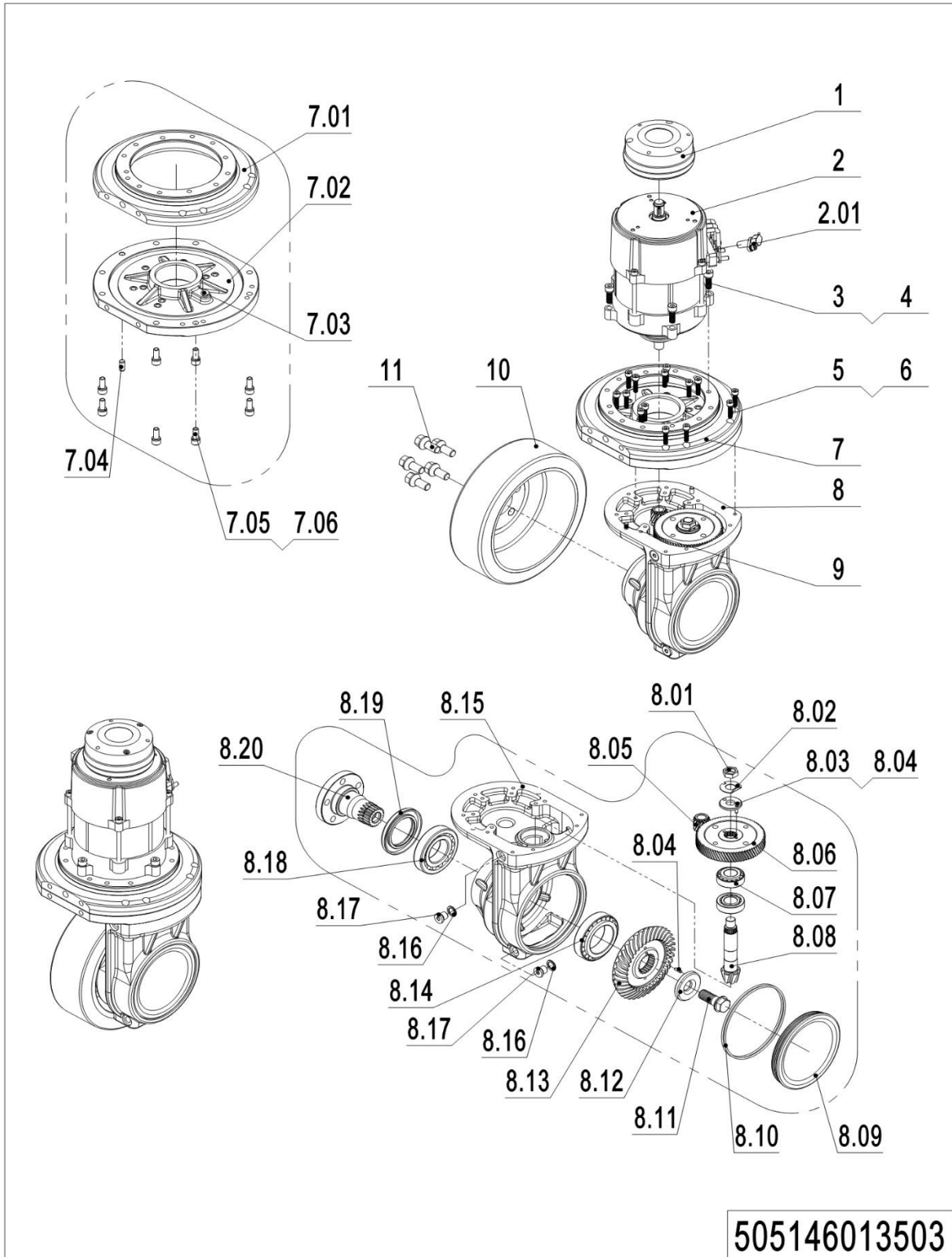


1= Supply as package. 2= Supply with constraints. 3= Phasing-out supply. 4= Supply as assembly. 5= Check other tables.

## 03 Drive Assembly(505146013503)Continuation

No.	Item Code	Mark	Item Description	Qty.	Substitute	Note
1	504698520019		Brake	1		
2	961007200001		Motor	1		
2.01	961007200002		Encoder	1		
3	910200200138		Screw	4		
4	910400500019		Washer	4		
5	910200200140		Screw	14		
6	910400500018		Washer	14		
7	961002701000		Slewing Bearing	1		
7.01	961002700006		Slewing Bearing	1		
7.02	961002700001		Gearbox	1		
7.03	940998510011		Filler Pug	1		
7.04	910600100025		Pin	1		
7.05	910200200180		Screw	8		
7.06	910400500019		Washer	8		
8	961002702000		Gearbox	1		
8.01	910300400014		Nut	1		
8.02	910401000005		Lock Washer	1		
8.03	940998520036		Washer	1		
8.04	10600100038		Pin	2		
8.05	961002700003		Gear	1		
8.06	961002700004		Gear	1		
8.07	910700600014		Bearing	2		
8.08	940998520019		Gear	1		
8.09	940998520018		Side Cover	1		
8.10	910800100095		O-Ring	2		
8.11	940998520028		Bolt	1		
8.12	940998520027		Check Ring	1		
8.13	940998520017		Gear	1		
8.14	910700600041		Bearing	1		
8.15	961002700002		Gearbox	1		

**03 Drive Assembly(505146013503) Continuation**



1= Supply as package. 2= Supply with constraints. 3= Phasing-out supply. 4= Supply as assembly. 5= Check other tables.

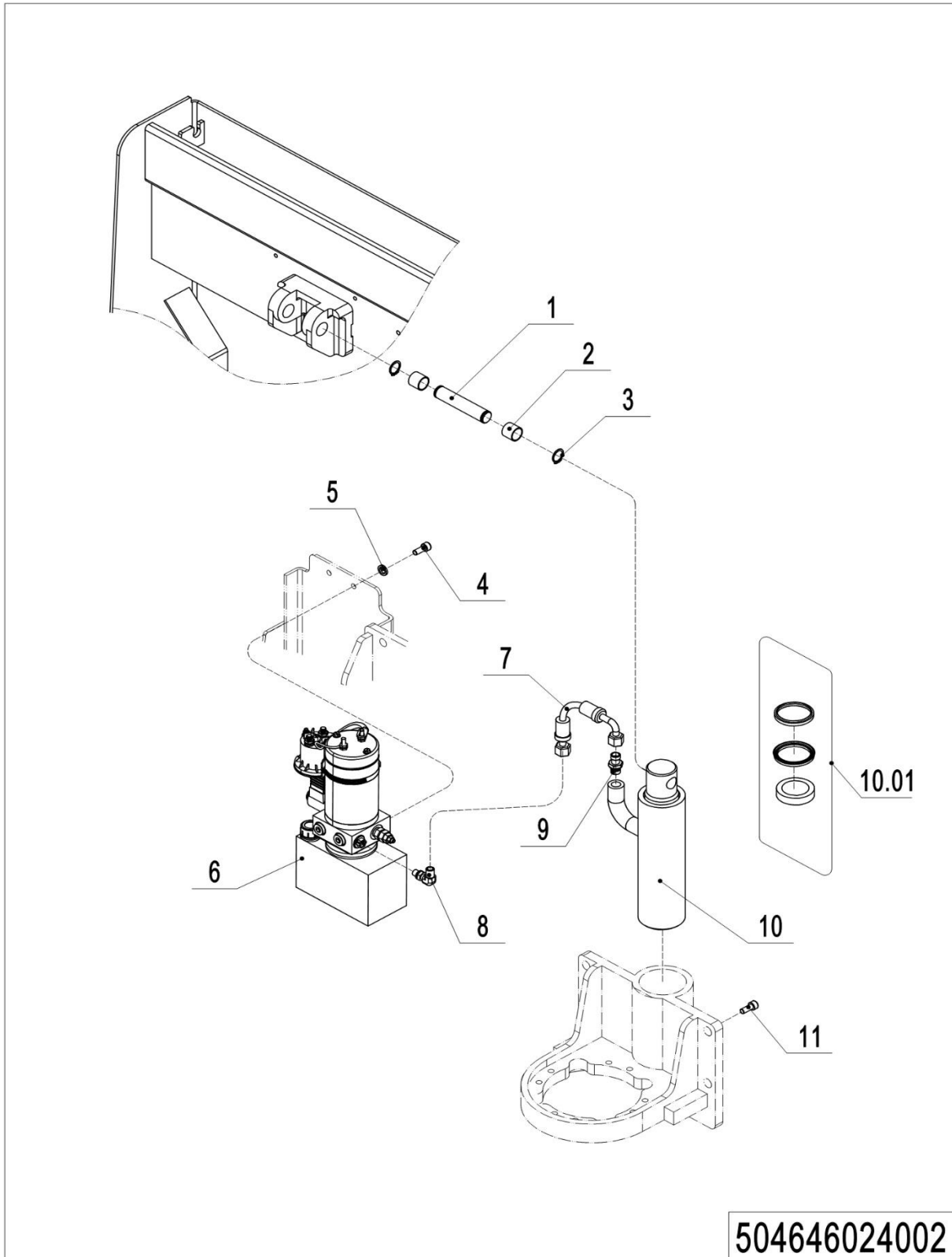
## 03 Drive Assembly(505146013503) Continuation

No.	Item Code	Mark	Item Description	Qty.	Substitute	Note
8.16	910800900007		Seal Ring	2		
8.17	940998520042		Screw Plug	2		
8.18	910700600040		Bearing	1		
8.19	940998520040		Sealing Ring	1		
8.20	961002700005		Drive Shaft	1		
9	910600200005		Spring Pin	2		
10	961002700010		Wheel $\Phi$ 230×65	1		
11	940998520029		Screw	5		



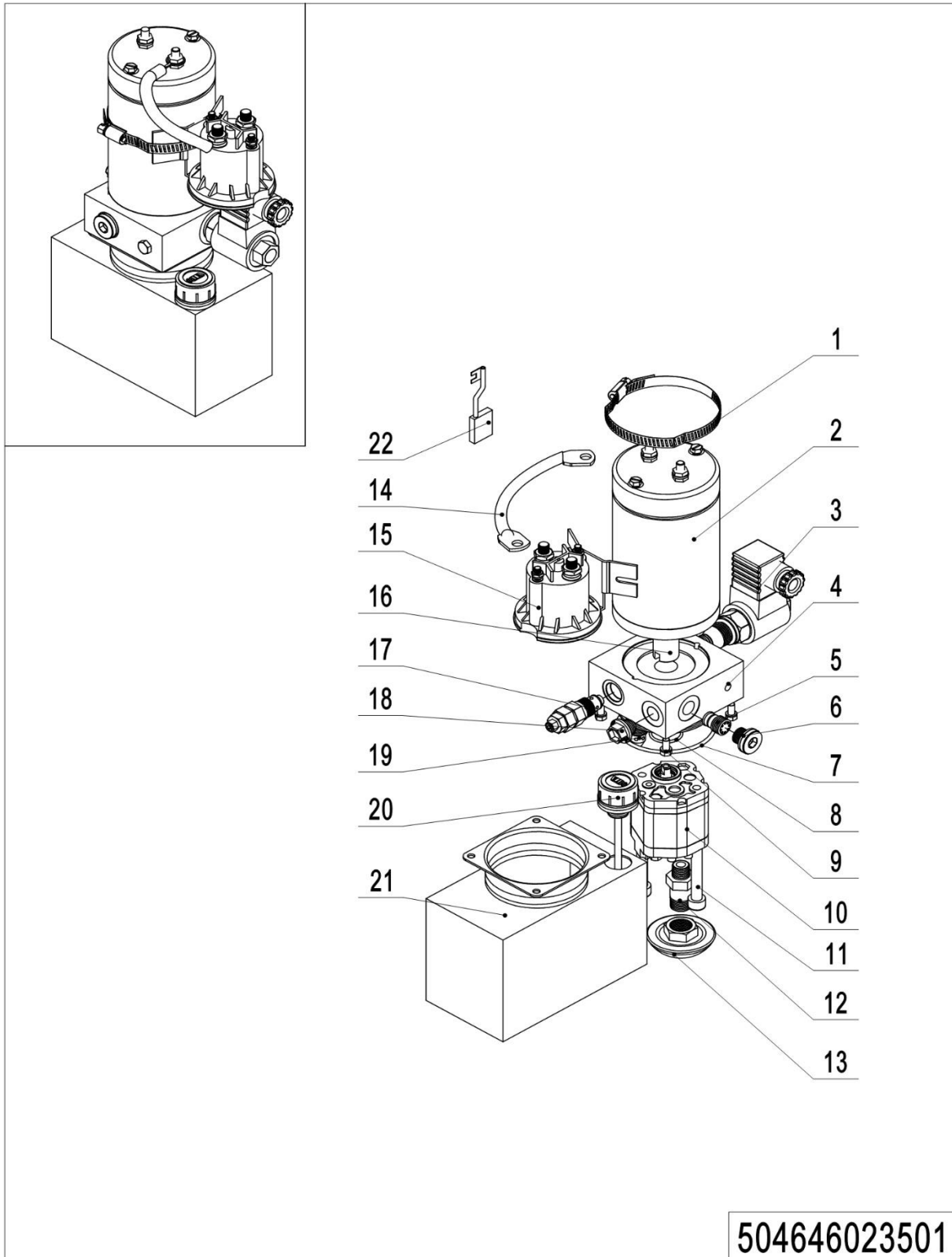
## 01 Hydraulic System (504646024001)

No.	Item Code	Mark	Item Description	Qty.	Substitute	Note
1	505638520033	2	Pin	1		
2	940500100019	1	Bushing	2		
3	910401300011	1	Circlip	2		
4	910200200055		Screw	2		
5	910400500006	1	Spring Washer	2		
6	950900100147		Pump Unit	1		See 504646023501(WB)
7	504424020005		Hose	1		
8	950401100002		Joint	1		
9	950400400001		Joint	1		
10	504424010001	2	Cylinder	1		
10.01	504498510000	1	Seal Kit	1		
11	910200200075	1	Screw	1		

**02 Hydraulic System(Built-in charger) (504646024002)**

## 02 Hydraulic System (Built-in charger) (504646024002)

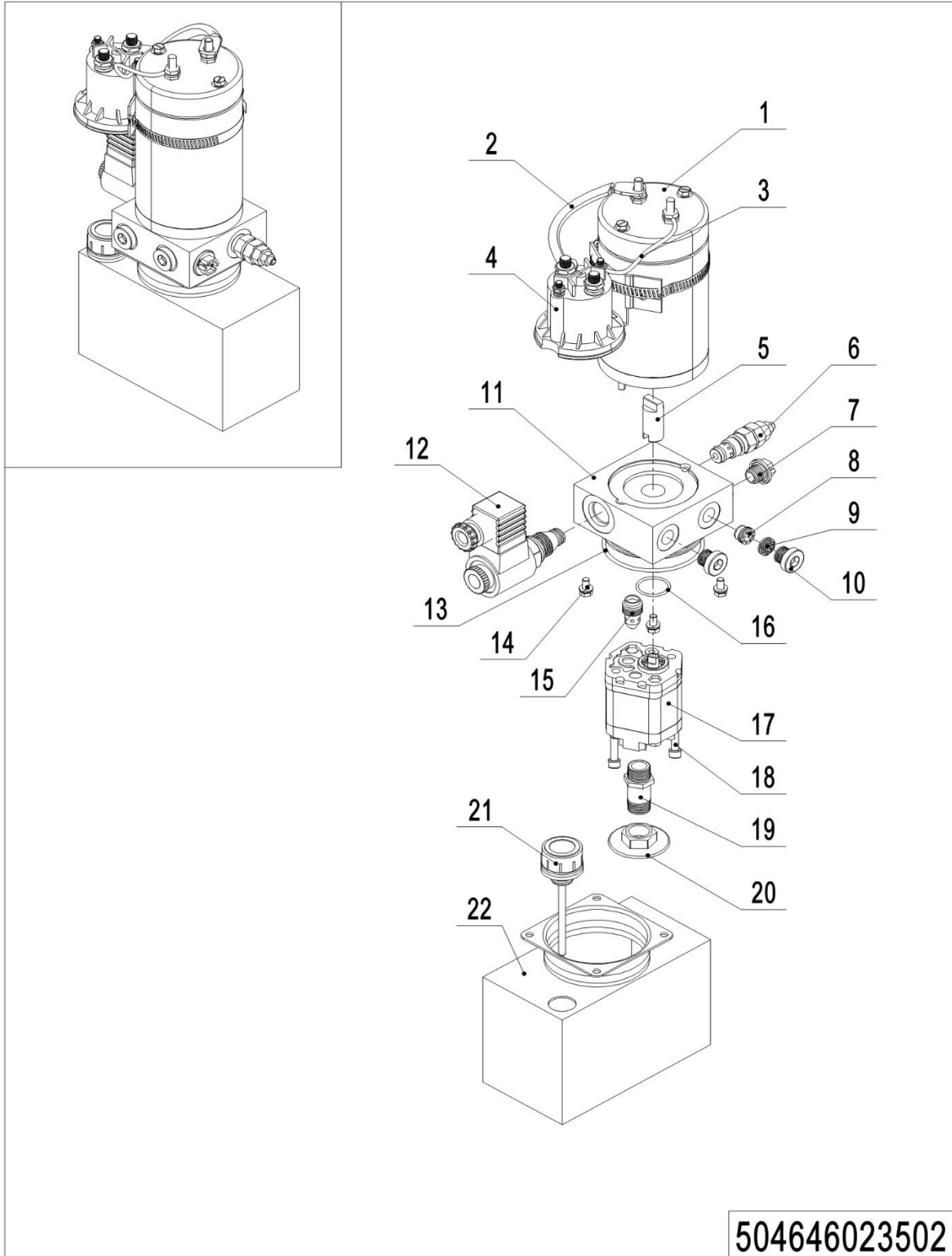
No.	Item Code	Mark	Item Description	Qty.	Substitute	Note
1	505138520010	2	Pin	1		
2	940500400028	1	Bushing	2		
3	910401300011	1	Circlip	2		
4	910200200055		Screw	2		
5	910400500006	1	Spring Washer	2		
6	950900100167		Pump Unit	1		See 505146023501 (WB)
7	505124020002		Pump Unit	1		
8	950401100002		Hose	1		
9	950400400001		Joint	1		
10	504424010001	2	Cylinder	1		
10.01	504498510000	1	Seal Kit	1		
11	910200200075	1	Screw	1		

**03 Hydraulic Power Unit (WB) (504646023501)**

## 03 Hydraulic Power Unit (WB) (504646023501)

No.	Item Code	Mark	Item Description	Qty.	Substitute	Note
--	950900100147		Pump Unit	1		
1	504498520017	2	Hoop	1		
2	504498510007	2	Motor	1		
3	504498510011	2	Magnetic Valve	1		
4	504498520018	2	Valve Block	1		
5	504498510012	2	Check Valve	1		
6	504498520019	2	End Cap	2		
7	504498520020	2	O-Ring	1		
8	910800100063	2	O-Ring	1		
9	504498520022	2	Bolt	4		
10	504498510013	2	Gear Pump	1		
11	504498520023	2	Bolt	2		
12	504498520024	2	Oil Tube	1		
13	504498520025	2	Filter	1		
14	504498520026	2	Cables	1		
15	504498510014	2	Switch	1		
16	504498520027	2	Coupling	1		
17	504498510015	2	Overflow Valve	1		
18	504498520028	2	End Cap	1		
19	532698510027	2	Compensation Valve	1		
20	504498520029	2	Cap-Tank	1		
21	504498520030	2	Tank	1		
22	504498510017	2	Carbon Brush	1		

## 04 Hydraulic Power Unit (WB) (Built-in charger) (504646023502)

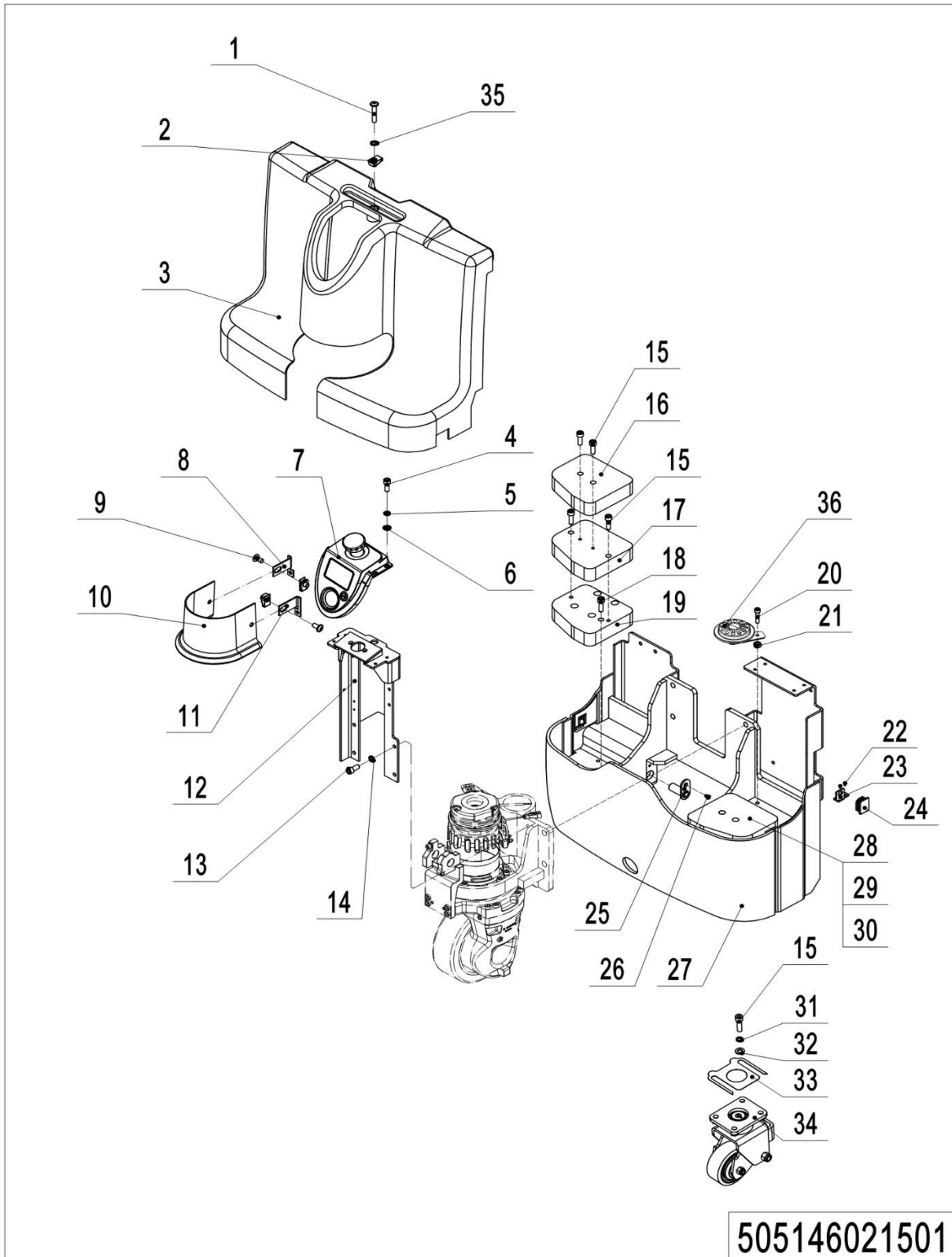


## 04 Hydraulic Power Unit (WB) (Built-in charger) (504646023502)

No.	Item Code	Mark	Item Description	Qty.	Substitute	Note
--	950900100167		Pump Unit	1		
1	504498510007	2	Motor	1		
2	504498520026	2	Cables	1		
3	504698520011	2	Cables	1		
4	504498510014	2	Switch	1		
5	504498520027	2	Coupling	1		
6	504498510015	2	Overflow Valve	1		
7	504498520028	2	End Cap	1		
8	504498510012	2	Check Valve	1		
9	504698520009	2	Nut	1		
10	504498520019	2	End Cap	2		
11	504698520008	2	Valve Block	1		
12	504498510011	2	Magnetic Valve	1		
13	504498520020	2	O-Ring	1		
14	504498520022	2	Bolt	4		
15	504698510015	2	Compensation Valve	1		
16	910800100063	2	O-Ring	1		
17	504498510013	2	Gear Pump	1		
18	504498520023	2	Bolt	2		
19	504498520024	2	Oil Tube	1		
20	504498520025	2	Filter	1		
21	504498520029	2	Cap-Tank	1		
22	504698520010	2	Tank	1		

## Chapter 3: Truck Frame

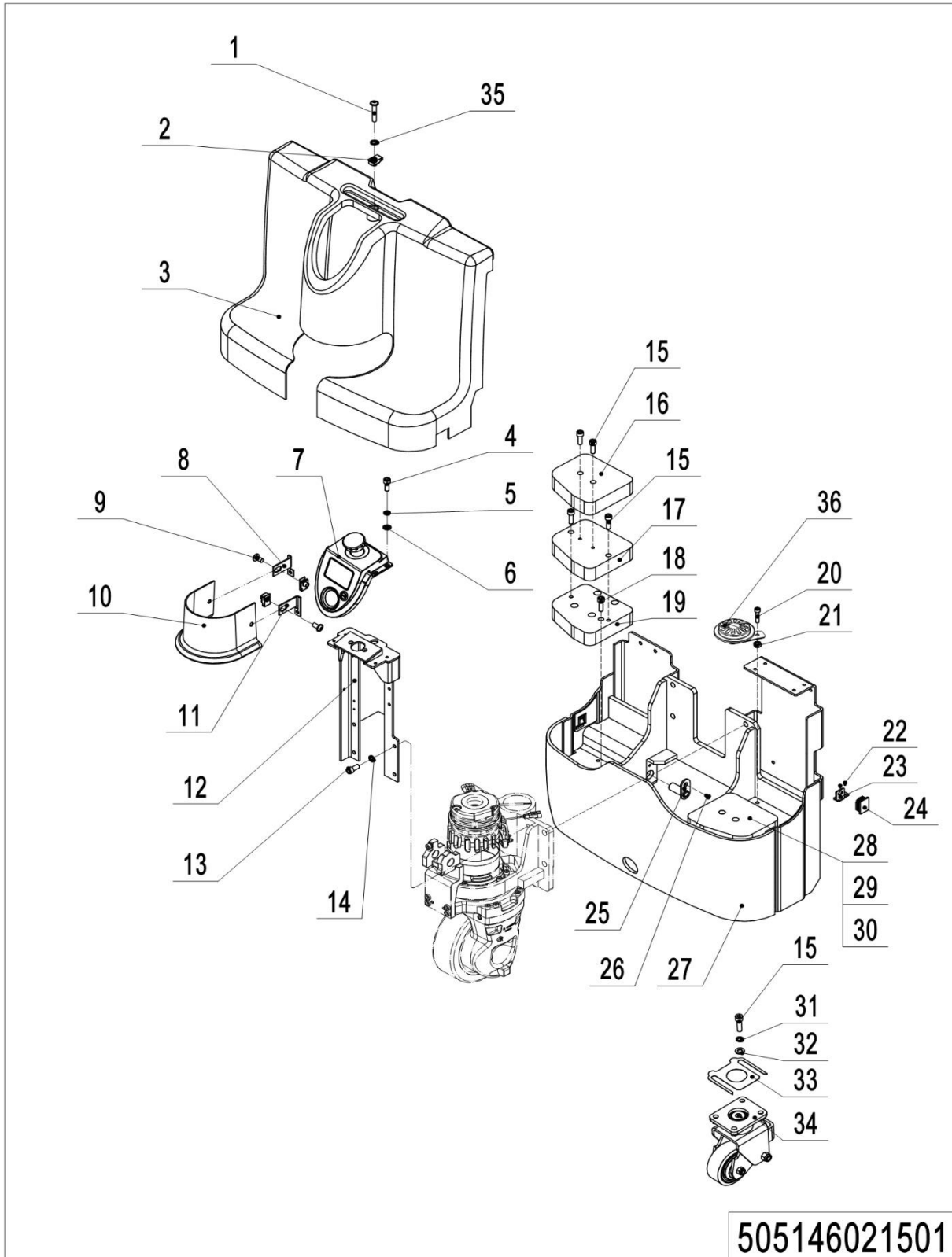
### 01 Truck Body (505146021501)



## 01 Truck Body (505146021501)

No.	Item Code	Mark	Item Description	Qty.	Substitute	Note
1	941100100006	1	Screw	1		
2	940400400003	1	Cage Nut	3		
3	504621520014		Protective Cover	1		
4	910200200035	1	Screw	4		
5	910400500005	1	Spring Washer	4		
6	910400100005	1	Flat Washer	4		
7	504610020000		Protective Cover	1		
8	505021520006		Mounting Plate	1		1.7kw
9	941100100007	1	Screw	2		
10	505021520004		Protective Cover	1		1.7kw
11	505021520007		Mounting Plate	1		1.7kw
12	504421510002	1	Bracket	1		
13	910200200055	1	Screw	4		
14	910400500006	1	Spring Washer	4		
15	910200200078		Screw	16		
16	504621520004		Plate	1		
17	504621520005		Plate	1		
18	910200200076		Plate	2		
19	504621520007		Plate	1		
20	910200200081	1	Screw	2		
21	910300100007	1	Nut	2		
22	910200500035		Screw	2		
23	504621520002		Mounting Plate	1		
24	506621520022		Dust Cover	1		
25	505921510002		Axle	2		
26	910200400016		Screw	2		
27	504621510000		Chassis	1		EU
27	504621510001		Chassis	1		US
28	504621520003		Plate	1		
29	504621520006		Plate	1		

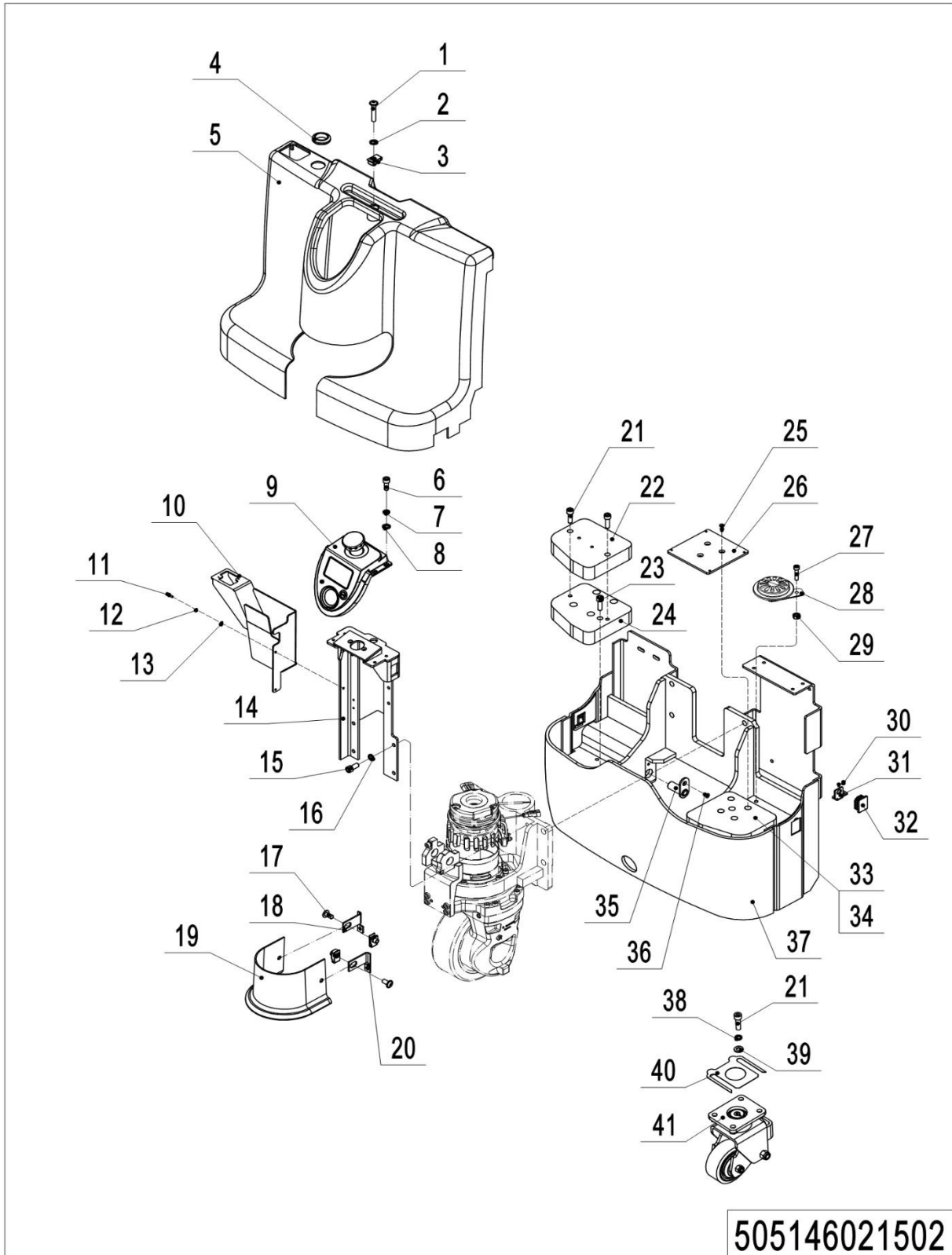
## 01 Truck Body (505146021501) Continuation



## 01 Truck Body (505146021501) Continuation

No.	Item Code	Mark	Item Description	Qty.	Substitute	Note
30	504621520008		Plate	1		
31	910400500007		Spring Washer	8		
32	910400100007		Flat Washer	8		
33	505616520014		Washer	2		
34	504416510001		Caster Assembly	2		
35	504621020002		Gasket	1		
36	920500100031		horn	1		

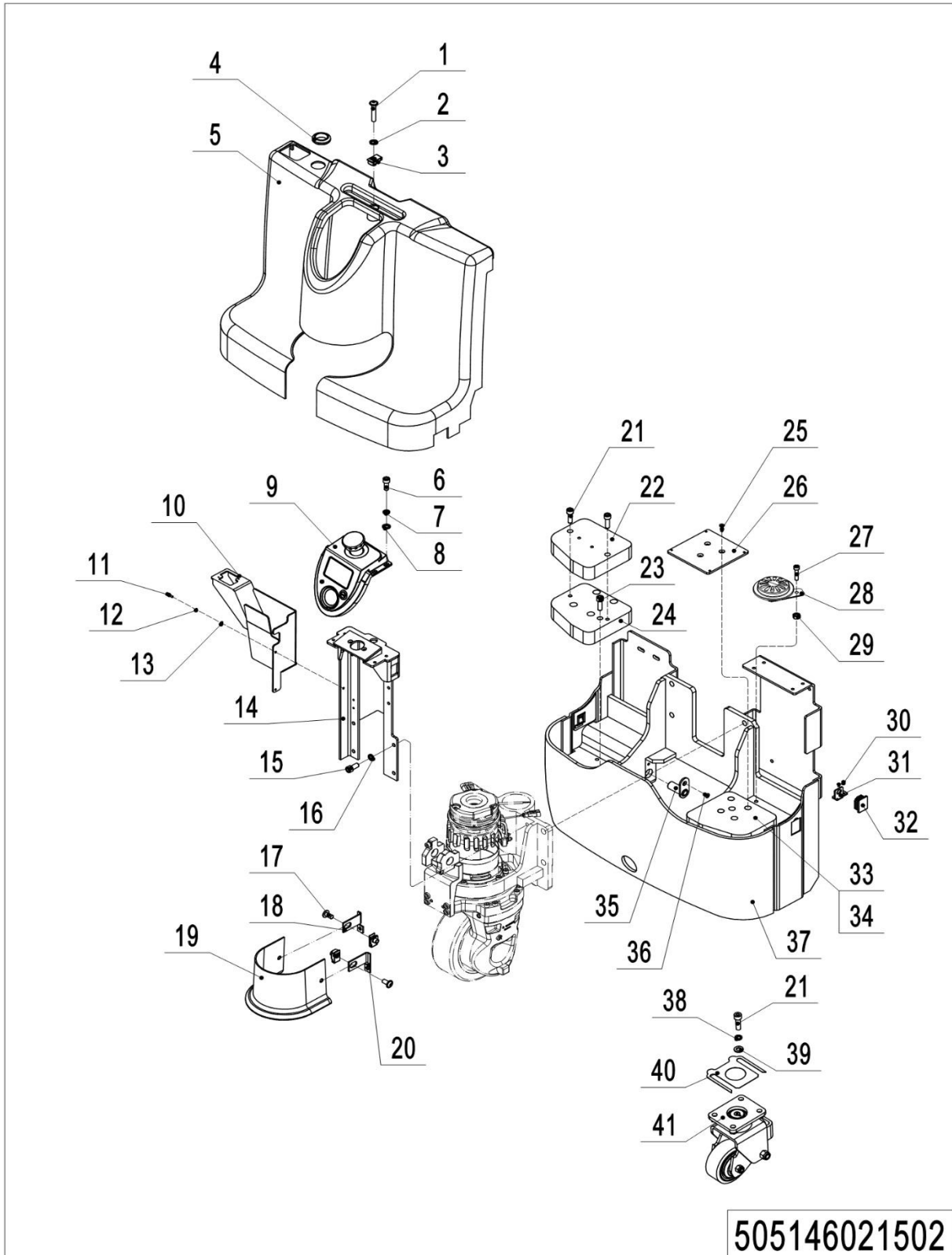
## 02 Truck Body(Built-in charger) (505146021502)



## 02 Truck Body (Built-in charger) (505146021502)

No.	Item Code	Mark	Item Description	Qty.	Substitute	Note
1	941100100006		Screw	1		
2	504621020002		Gasket	1		
3	940400400003		Cage Nut	3		
4	505621520036		Coils	1		
5	504621520015		Protective Cover	1		
6	910200200035		Screw	4		
7	910400500005		Spring Washer	4		
8	910400100005		Flat Washer	4		
9	504610020001		Protective Cover	1		
10	505121510003		Wire Box	1		
11	910200200015		Screw	2		
12	910400500003		Spring Washer	2		
13	910400100003		Flat Washer	2		
14	505121510002		Bracket	1		
15	910200200055		Screw	4		
16	910400500006		Spring Washer	4		
17	941100100007		Screw	2		
18	505021520006		Mounting Plate	1		
19	505021520004		Protective Cover	1		
20	505021520007		Mounting Plate	1		
21	910200200078		Screw	12		
22	504621520005		Plate	1		
23	910200200076		Screw	2		
24	504621520007		Plate	1		
25	910200400018		Screw	3		
26	505121520001		Mounting Plate	1		
27	910200200081		Screw	1		
28	920500100031		horn	1		
29	910300100007		Nut	1		
30	910200500035		Screw	2		

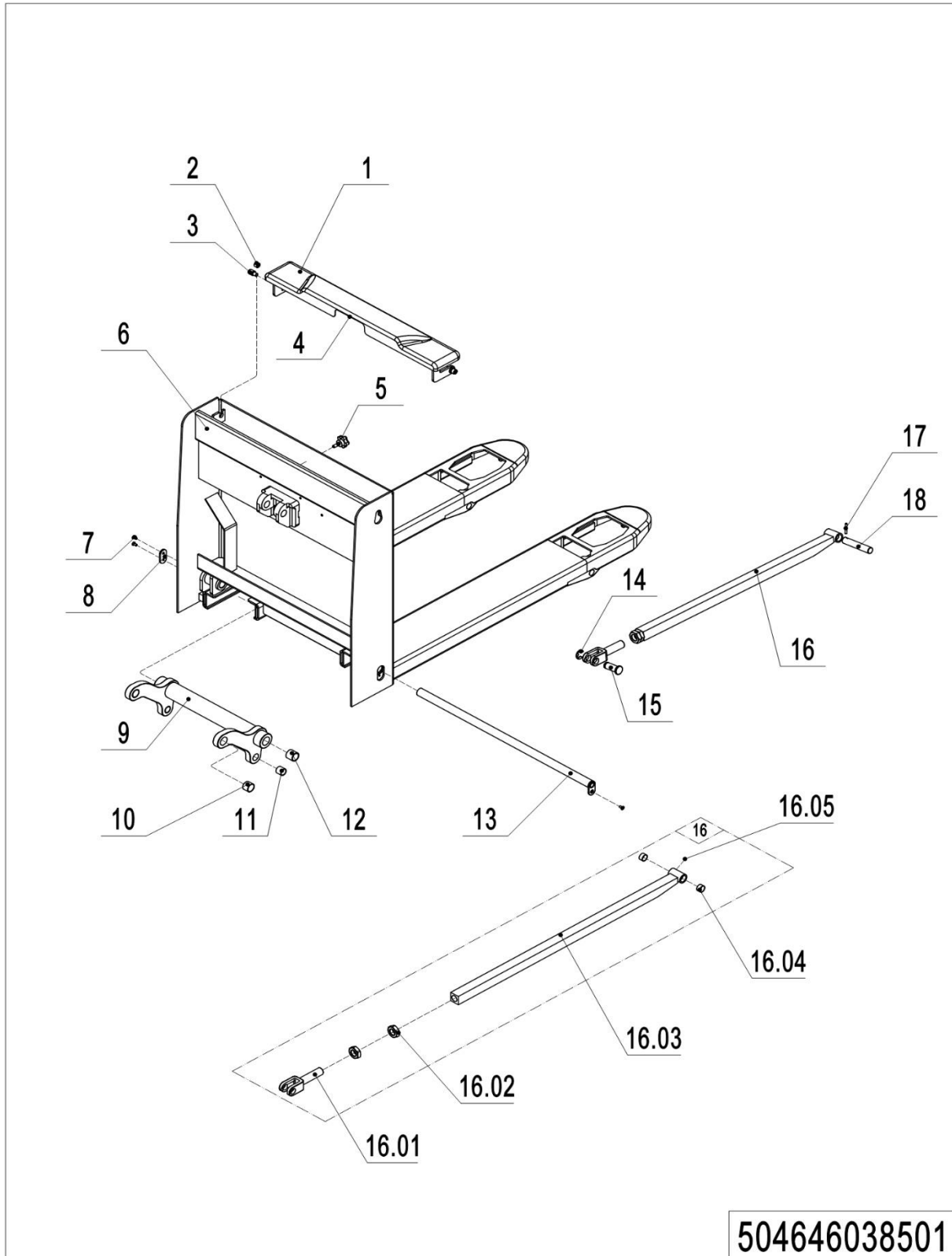
## 02 Truck Body(Built-in charger) (505146021502) Continuation



## 02 Truck Body (Built-in charger) (505146021502) Continuation

No.	Item Code	Mark	Item Description	Qty.	Substitute	Note
31	504621520002		Mounting Plate	1		
32	506621520022		Dust Cover	1		
33	504621520006		Plate	1		
34	504621520008		Plate	1		
35	505121510006		Axle	2		
36	910200400016		Screw	2		
37	505121510007		Chassis	1		EU
37	505121510001		Chassis	1		US
38	910400500007		Spring Washer	8		
39	910400100007		Flat Washer	8		
40	505616520014		Washer	2		
41	504416510001		Caster Assembly	2		See 504446016501
42	910200500012		Screw	2		
43	910400500002		Spring Washer	2		
44	910400100002		Flat Washer	2		
45	920400300027		Safety sockets	1		EU
45	920400300028		Safety sockets	1		US

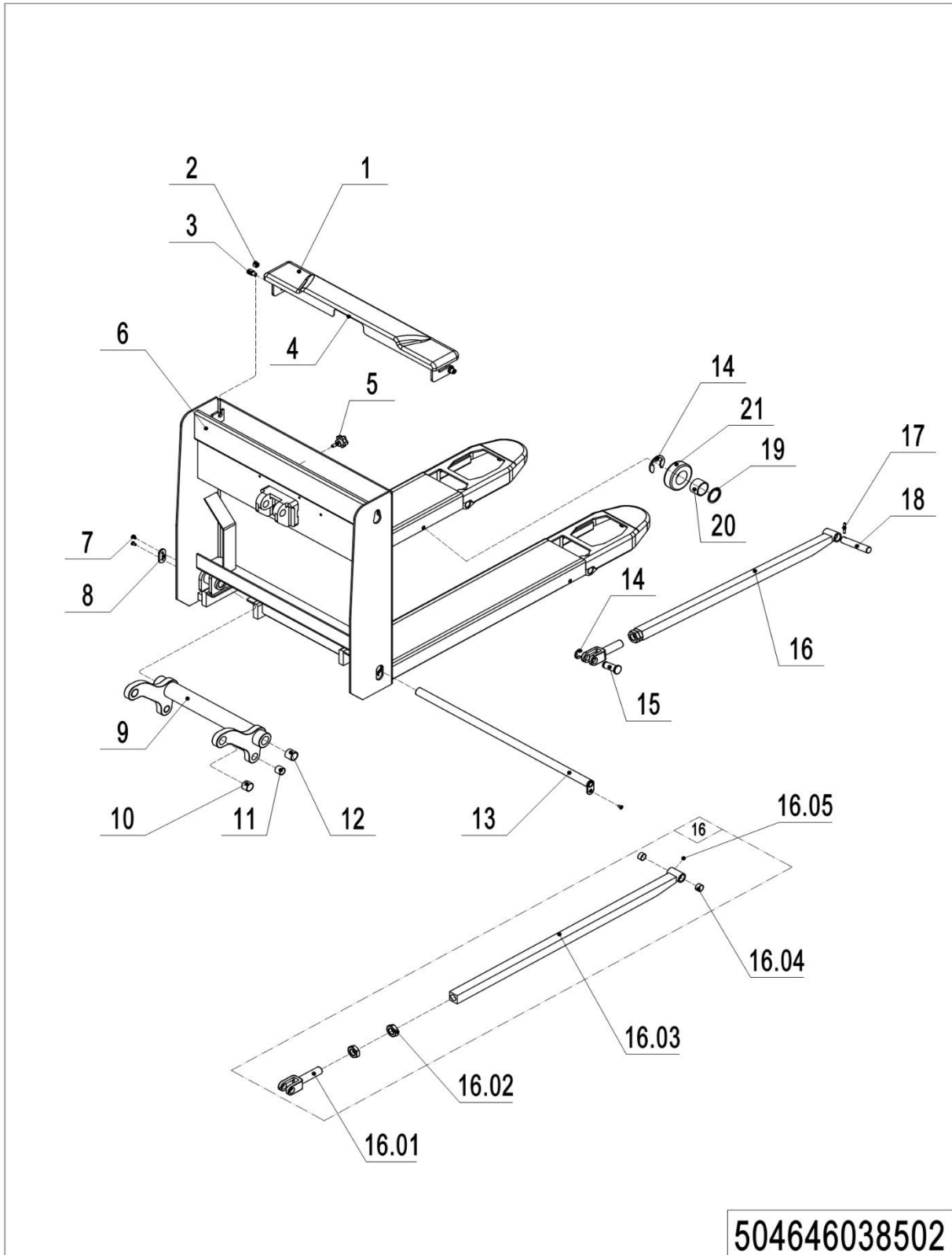
### 03 Chassis (EU-lithium battery 100Ah) (504646038501)



## 03 Chassis (EU-lithium battery 100Ah) (504646038501)

No.	Item Code	Mark	Item Description	Qty.	Substitute	Note
1	504621010000		Cell Cover	1		
2	505621020004		Crash Pad	2		
3	505621020003		Crash Pad	2		
4	505921020007		Sealing Strip	1		
5	911000300005		Handle	1		
6	504638510000		Chassis(540x1150)	1		
6	504638510001		Chassis (685x1150)	1		
7	910200400016		Screw	3		
8	505638520031		Fixing Plate	1		
9	505638510001		Rise Arm	1		540
9	505638510007		Rise Arm	1		685
10	940500100027		Bushing	2		
10	940500400030		Bushing	2		Built-in charger
11	940500100019		Bushing	2		
11	940500400028		Bushing	2		Built-in charger
12	940500100032		Bushing	2		
12	940500400037		Bushing	2		Built-in charger
13	505638510003		Pin	1		
14	910401700005		Circlip	2		
15	505638520034		Axle	2		
15	505138520009		Axle	2		Built-in charger
16	504698510000		Push Rod Kit (1150)	2		
16.01	505638520035		Push Rod Fork	2		
16.02	910300400010		Nut	4		
16.03	504638510004		Push Rod (1150)	2		
16.04	940500100012		Bushing	5		
16.05	911200100001		Oil Cup	5		
17	910600500004		Spring Pin	2		
18	505638520037		Axle	2		

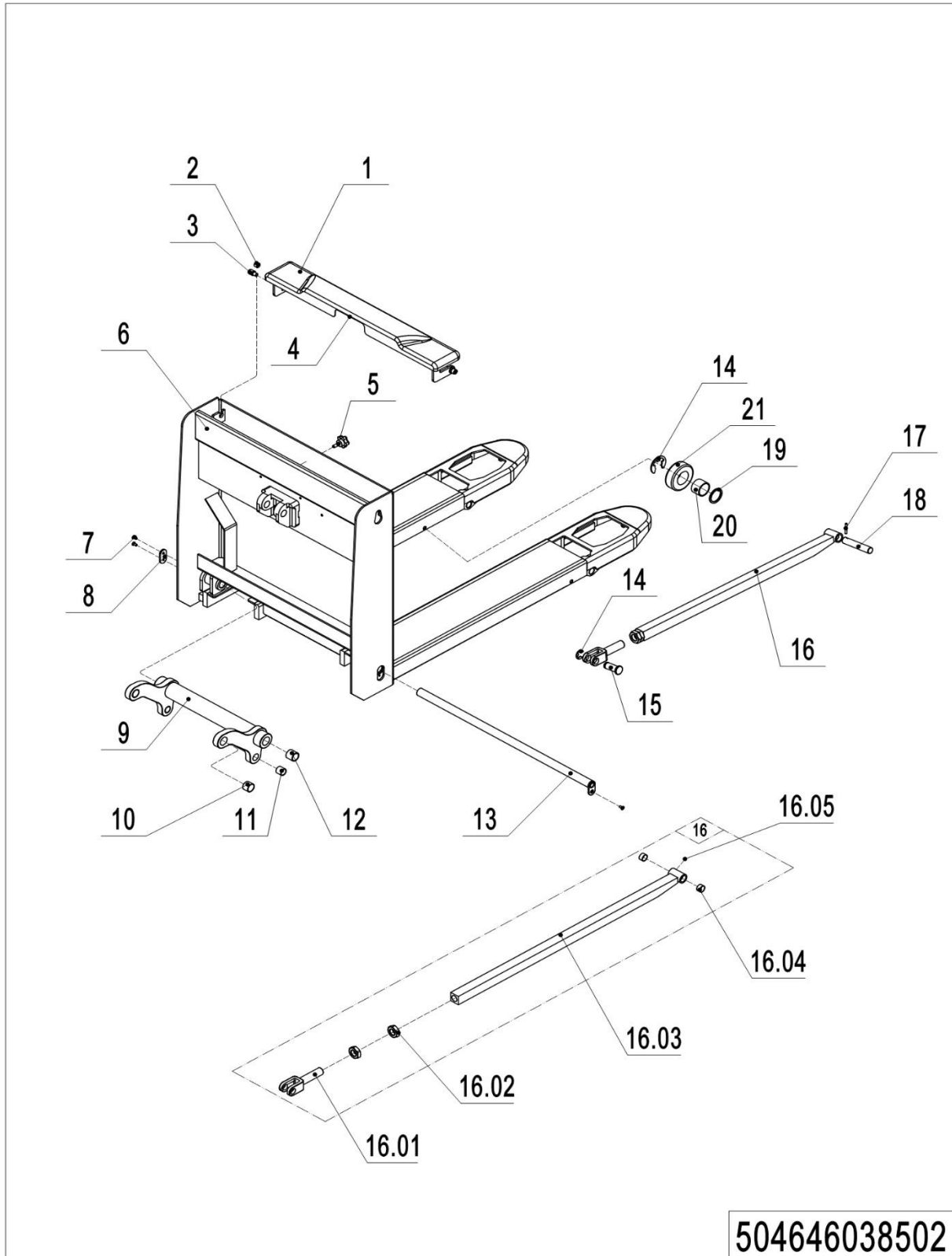
### 04 Chassis (US-lithium battery 100Ah)(504646038502)



## 04 Chassis(US-lithium battery 100Ah) (504646038502)

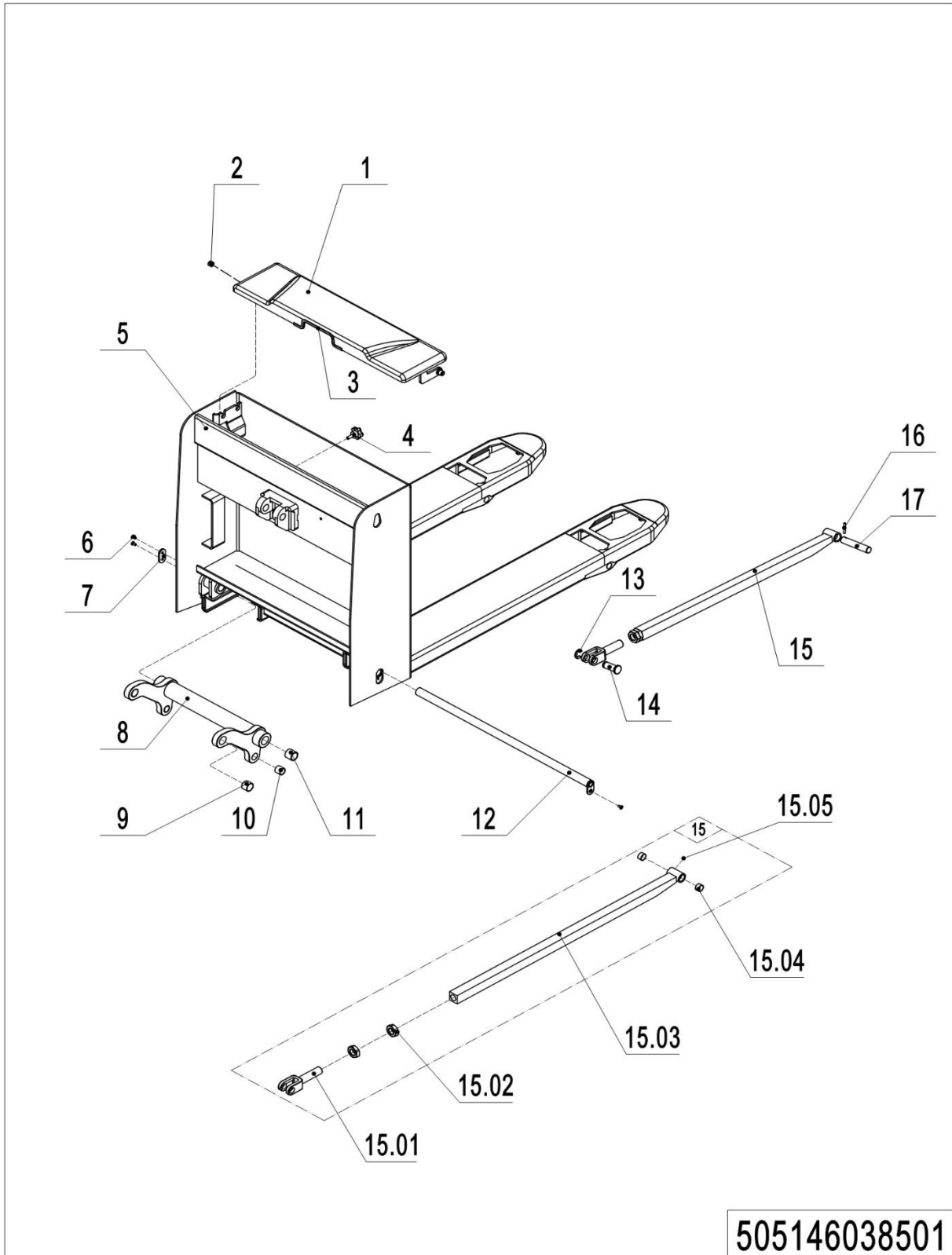
No.	Item Code	Mark	Item Description	Qty.	Substitute	Note
1	504621010000		Cell Cover	1		
2	505621020004		Crash Pad	2		
3	505621020003		Crash Pad	2		
4	505921020007		Sealing Strip	1		
5	911000300005		Handle	1		
6	504638510002		Chassis(540x1150)	1		
6	504638510003		Chassis (685x1150)	1		
7	910200400016		Screw	3		
8	505638520031		Fixing Plate	1		
9	505638510001		Rise Arm	1		540
9	505638510007		Rise Arm	1		685
10	940500100027		Bushing	2		
10	940500400030		Bushing	2		Built-in charger
11	940500100019		Bushing	2		
11	940500400028		Bushing	2		Built-in charger
12	940500100032		Bushing	2		
12	940500400037		Bushing	2		Built-in charger
13	505638510003		Pin	1		
14	910401700005		Circlip	6		
15	505638520034		Axle	2		
15	505138520009		Axle	2		Built-in charger
16	504698510000		Push Rod Kit (1150)	2		
16.01	505638520035		Push Rod Fork	2		
16.02	910300400010		Nut	4		
16.03	504638510004		Push Rod (1150)	2		
16.04	940500100012		Bushing	4		
16.05	911200100001		Oil Cup	5		
17	910600500004		Spring Pin	2		
18	505638520037		Axle	2		
19	940600500014		Washer	4		

## 04 Chassis (US-lithium battery 100Ah)(504646038502)Continuation



## 04 Chassis(US-lithium battery 100Ah) (504646038502)Continuation

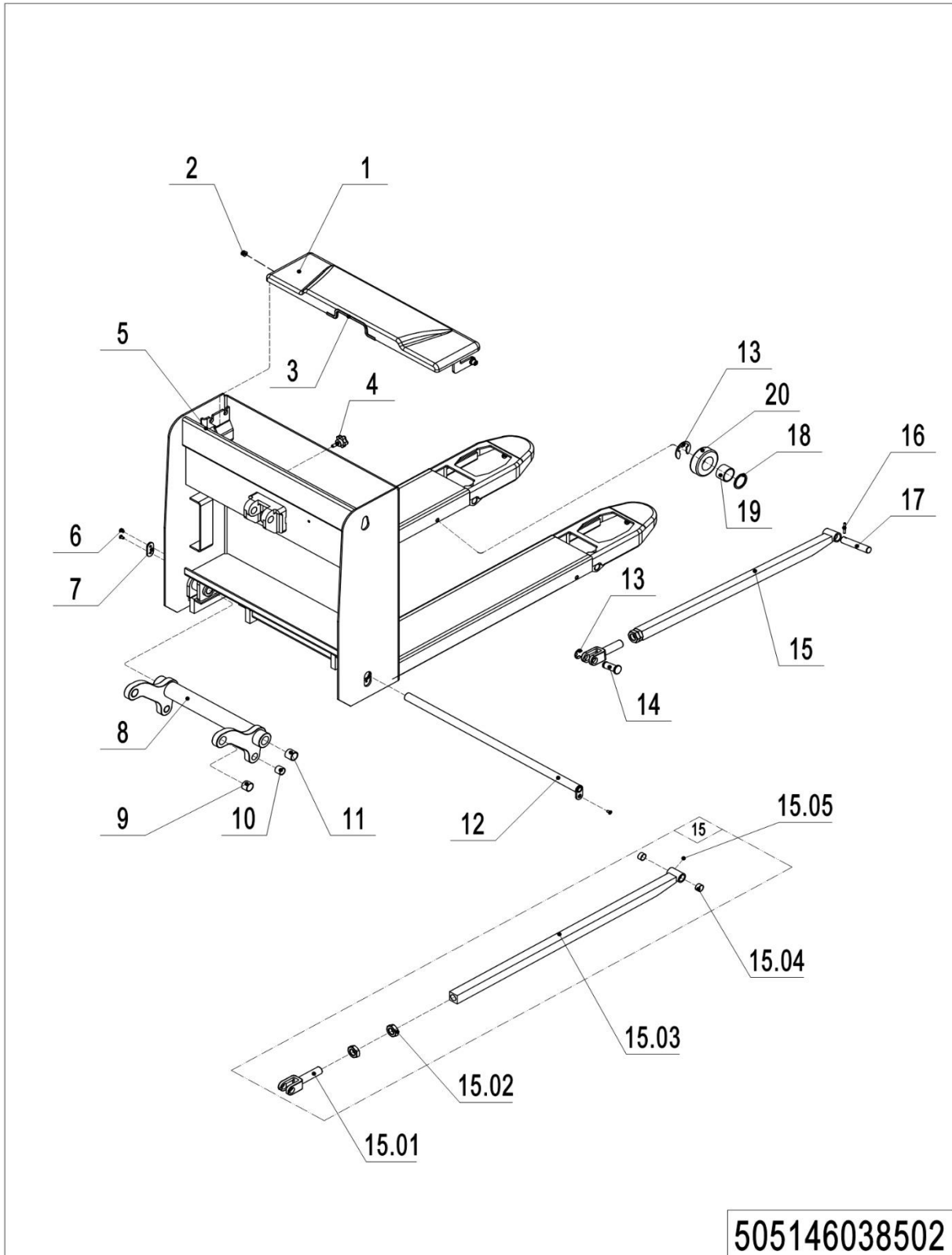
No.	Item Code	Mark	Item Description	Qty.	Substitute	Note
20	940500100017		Bushing	4		
21	504738520053		Roller	4		

**05 Chassis (EU-lithium battery 150Ah) (505146038501)**

## 05 Chassis (EU-lithium battery 150Ah) (505146038501)

No.	Item Code	Mark	Item Description	Qty.	Substitute	Note
1	504421010001		Cell Cover	1		
2	505621020004		Crash Pad	3		
3	505921020007		Sealing Strip	1		
4	911000300005		Handle	1		
5	505138510000		Chassis(540x1150)	1		
5	505138510001		Chassis (685x1150)	1		
6	910200400016		Screw	3		
7	505638520031		Fixing Plate	1		
8	505638510001		Rise Arm	1		540
8	505638510007		Rise Arm	1		685
9	940500100027		Bushing	2		
9	940500400030		Bushing	2		Built-in charger
10	940500100019		Bushing	2		
10	940500400028		Bushing	2		Built-in charger
11	940500100032		Bushing	2		
11	940500400037		Bushing	2		Built-in charger
12	505638510003		Pin	1		
13	910401700005		Circlip	2		
14	505638520034		Axle	2		
14	505138520009		Axle	2		Built-in charger
15	504498510008		Push Rod Kit (1150)	2		
15.01	505638520035		Push Rod Fork	2		
15.02	910300400010		Nut	2		
15.03	504438510002		Push Rod (1150)	2		
15.04	940500100012		Bushing	4		
15.05	911200100001		Oil Cup	5		
16	910600500004		Spring Pin	2		
17	505638520037		Axle	2		

## 06 Chassis (US-lithium battery 150Ah)(505146038502)

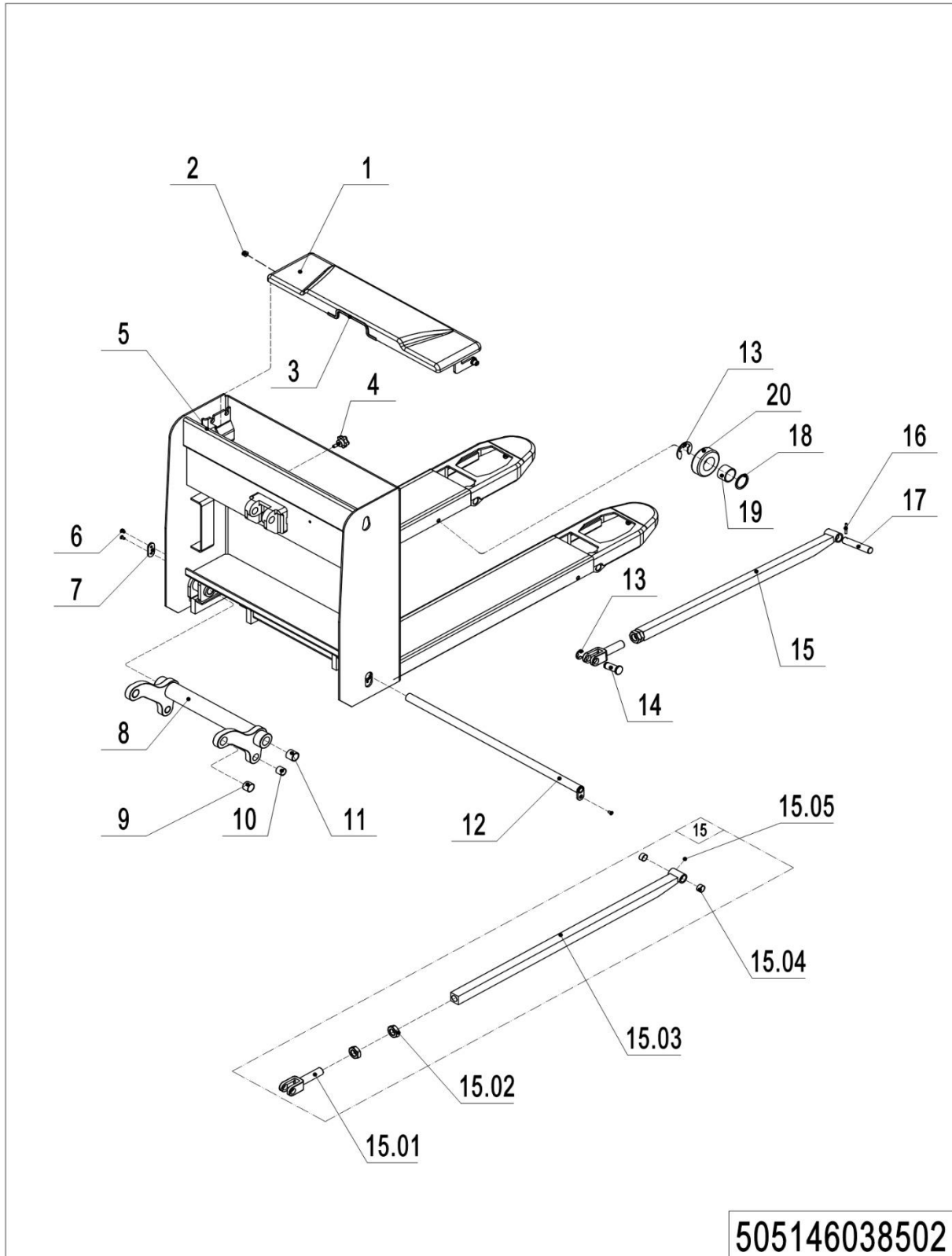


1= Supply as package. 2= Supply with constraints. 3= Phasing-out supply. 4= Supply as assembly. 5= Check other tables.

## 06 Chassis(US-lithium battery 150Ah) (505146038502)

No.	Item Code	Mark	Item Description	Qty.	Substitute	Note
1	504421010001		Cell Cover	1		
2	505621020004		Crash Pad	3		
3	505921020007		Sealing Strip	1		
4	911000300005		Handle	1		
5	505138510002		Chassis(540x1150)	1		
5	505138510003		Chassis (685x1150)	1		
6	910200400016		Screw	3		
7	505638520031		Fixing Plate	1		
8	505638510001		Rise Arm	1		540
8	505638510007		Rise Arm	1		685
9	940500100027		Bushing	2		
9	940500400030		Bushing	2		Built-in charger
10	940500100019		Bushing	2		
10	940500400028		Bushing	2		Built-in charger
11	940500100032		Bushing	2		
11	940500400037		Bushing	2		Built-in charger
12	505638510003		Pin	1		
13	910401700005		Circlip	6		
14	505638520034		Axle	2		
14	505138520009		Axle	2		Built-in charger
15	504498510008		Push Rod Kit (1150)	2		
15.01	505638520035		Push Rod Fork	2		
15.02	910300400010		Nut	4		
15.03	504438510002		Push Rod (1150)	2		
15.04	940500100012		Bushing	4		
15.05	911200100001		Oil Cup	5		
16	910600500004		Spring Pin	2		
17	505638520037		Axle	2		

## 06 Chassis (US-lithium battery 150Ah)(505146038502) Continuation



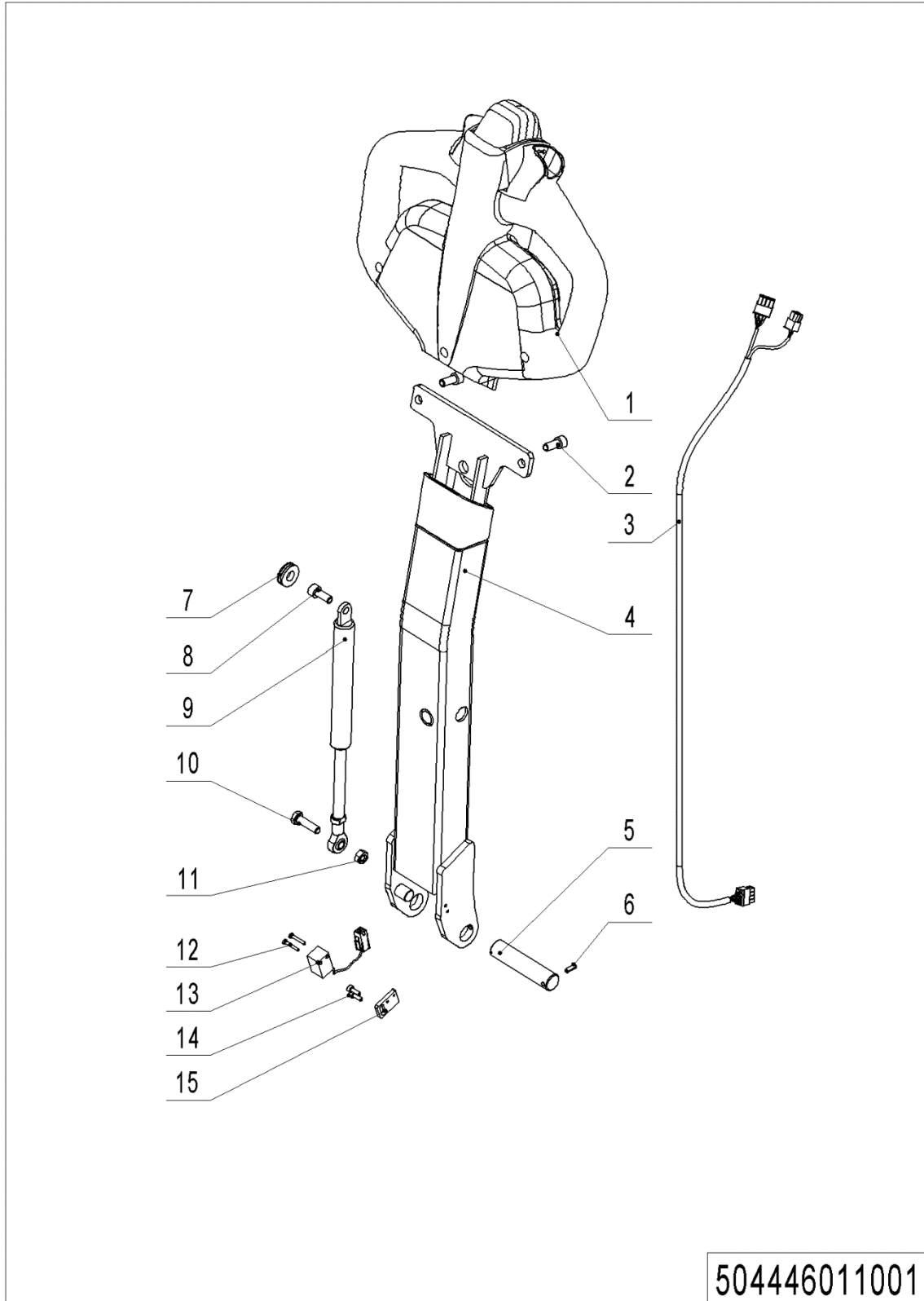
1= Supply as package. 2= Supply with constraints. 3= Phasing-out supply. 4= Supply as assembly. 5= Check other tables.

## 06 Chassis(US-lithium battery 150Ah) (505146038502) Continuation

No.	Item Code	Mark	Item Description	Qty.	Substitute	Note
18	940600500014		Washer	4		
19	940500100017		Bushing	4		
20	504738520053		Roller	4		

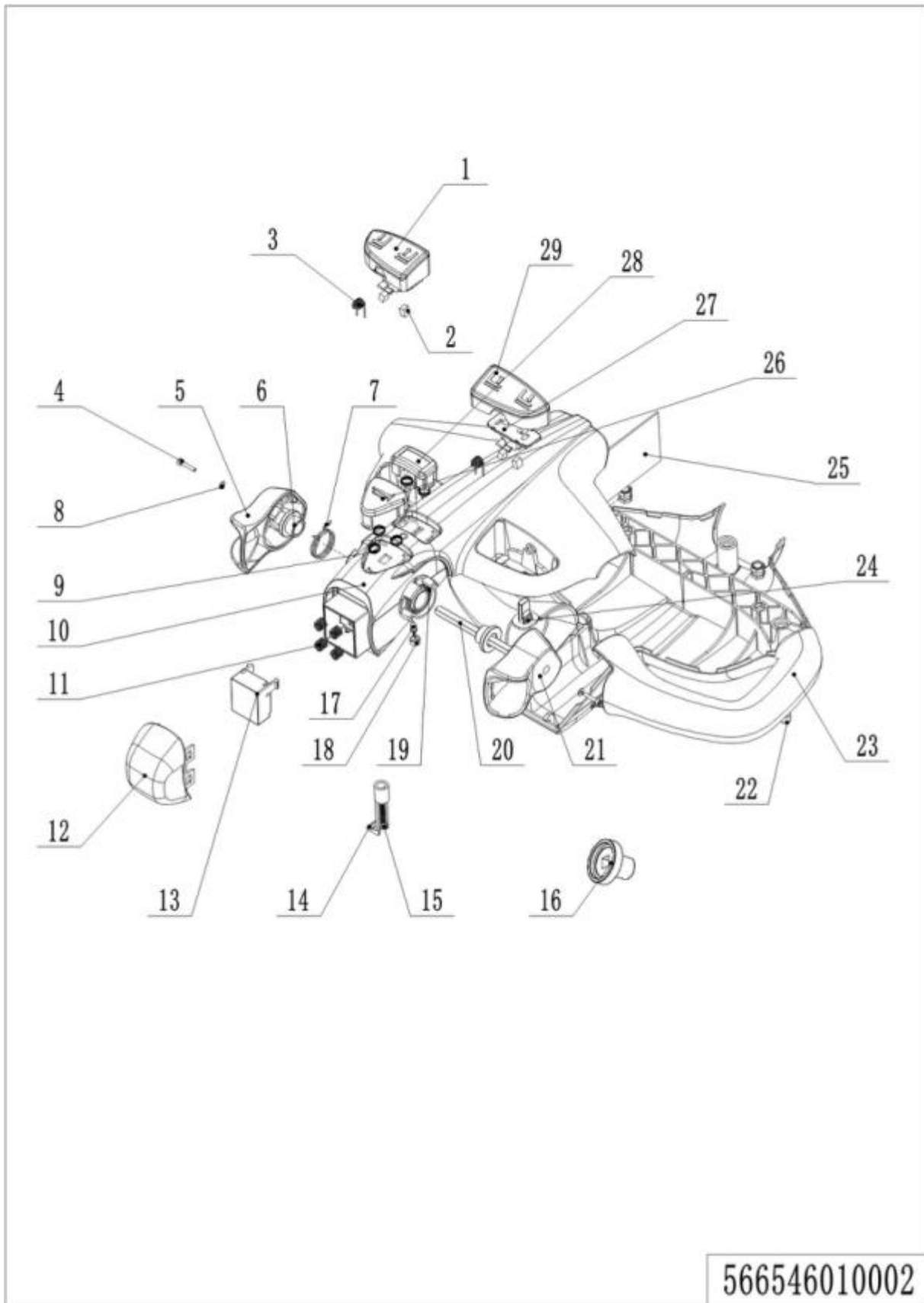
## Chapter 4: Steering System, Braking System, Wheels

### 01 Tiller (504446011001)



## 01 Tiller (504446011001)

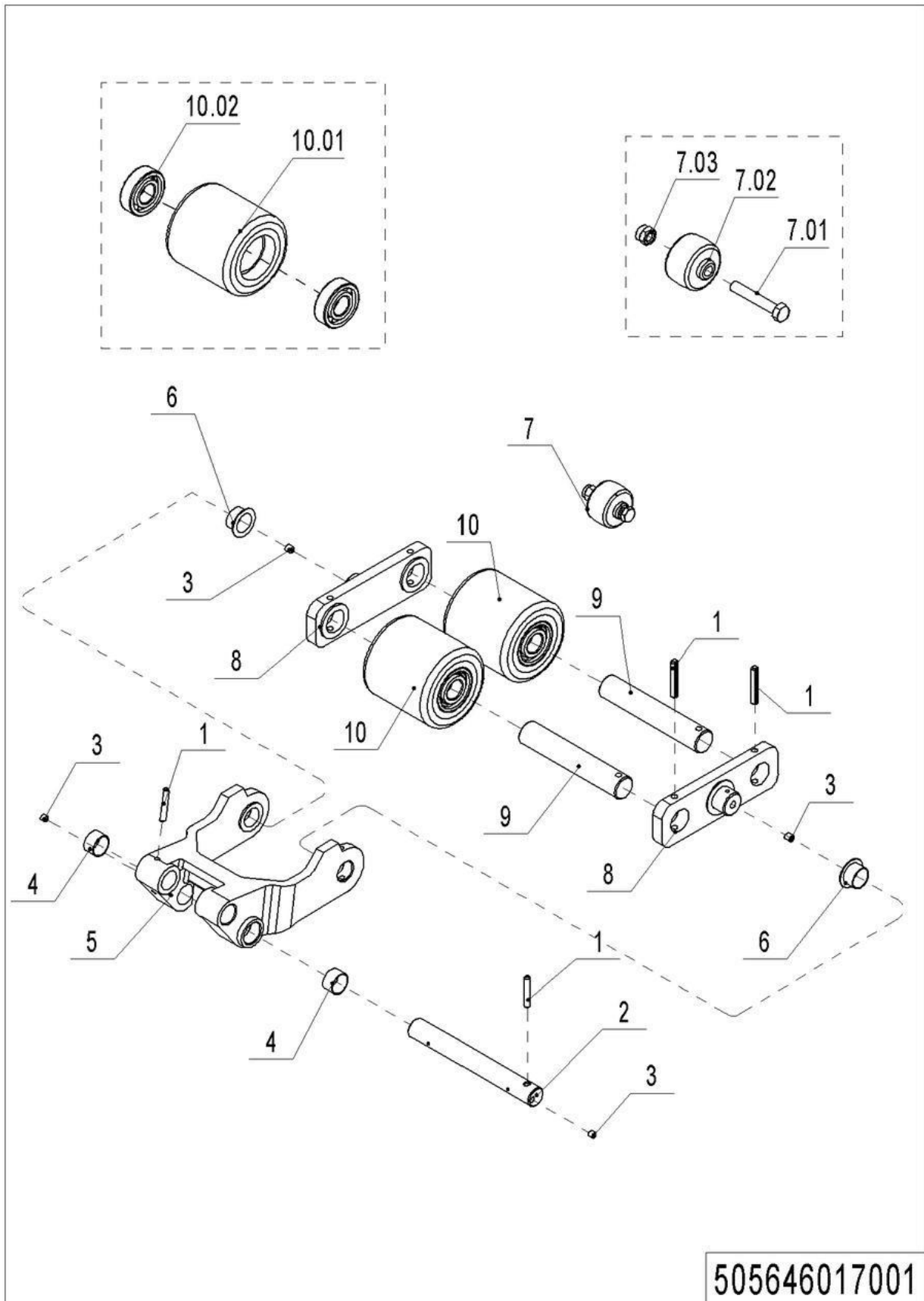
No.	Item Code	Mark	Item Description	Qty.	Substitute	Note
1	922100100001		Tiller	1		See 566546010002
2	910200200057	1	Screw	2		
3	504633010016		Wire Harness	1		F2A
4	504411010002		Tiller	1		
5	504411020011		Axle	1		
6	910600400009	1	Spring Pin	1		
7	502311020009		Close Plate	1		
8	941100400001	1	Screw	1		
9	504411010003		Air Spring	1		
10	910100300024	1	Bolt	1		
11	504411020013	1	Transition set	1		
12	910200500015	1	Screw	2		
13	505633510002		Proximity Switch	1		
14	910200200014	1	Screw	2		
15	504411020009		Baseboard	1		

**02 Tiller (566546010002)**

## 02 Tiller (566546010002)

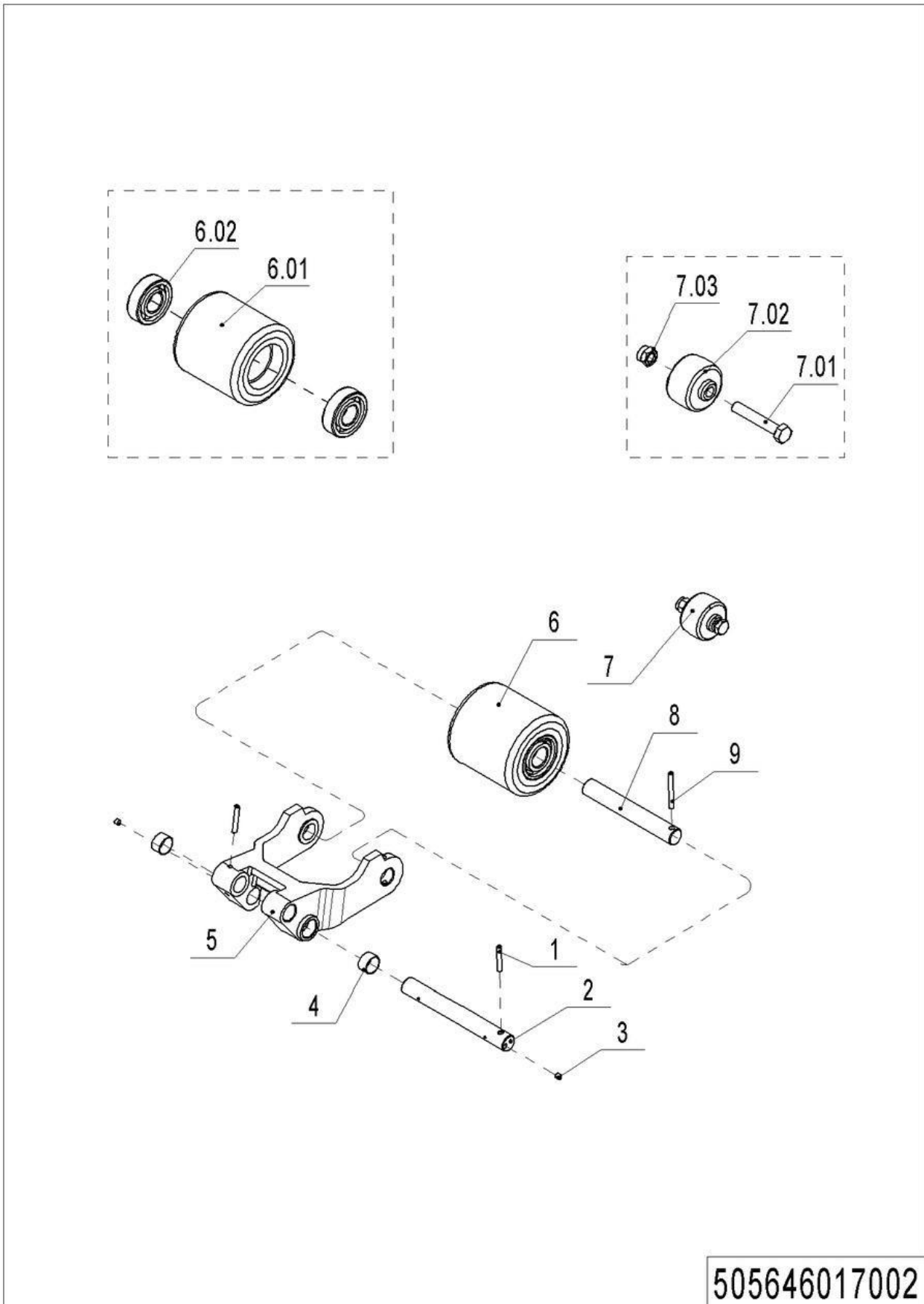
No.	Item Code	Mark	Item Description	Qty.	Substitute	Note
1	505698520016		Button cap	1		
2	505698520005		Magnet	4		
3	505698520018		Torsional Spring	2		
4	505698520008		Screw	2		
5	505698520001		Traction lever	1		
6	505698520004		Sleeve	2		
7	505698520027		Torsional Spring	1		
8	505698520009		Washer	2		
9	505698520003		Spring	5		
10	505698520099		Handle Cap	1		
11	505698520006		Spring	4		
12	505698520020		Button Cap-	1		
13	505698520100		Pedestal	1		
14	505698520012		Clamp	1		
15	505698520023		Screw	1		
16	505698520102		Magnet holder	2		
17	505698520024		Light	1		
18	505698520025		Lamp Holder	1		
19	505698520026		Torsional Spring	1		
20	505698520011		Axle-Traction lever	1		
21	505698520010		Traction lever	1		
22	505698520007		Screw	3		
23	505698520015		Handle Cap	1		
24	505698520013		Sensor	2		
25	505698520101		circuit Board	1		
26	505698520002		Horn Button	1		
27	505698520017		Fixing Base	2		
28	505698520021		Button Cap	1		
29	505698520022		Button Cap	1		

### 03 Load Wheel (Tandem) (505646017001)



## 03 Load Wheel (Tandem) (505646017001)

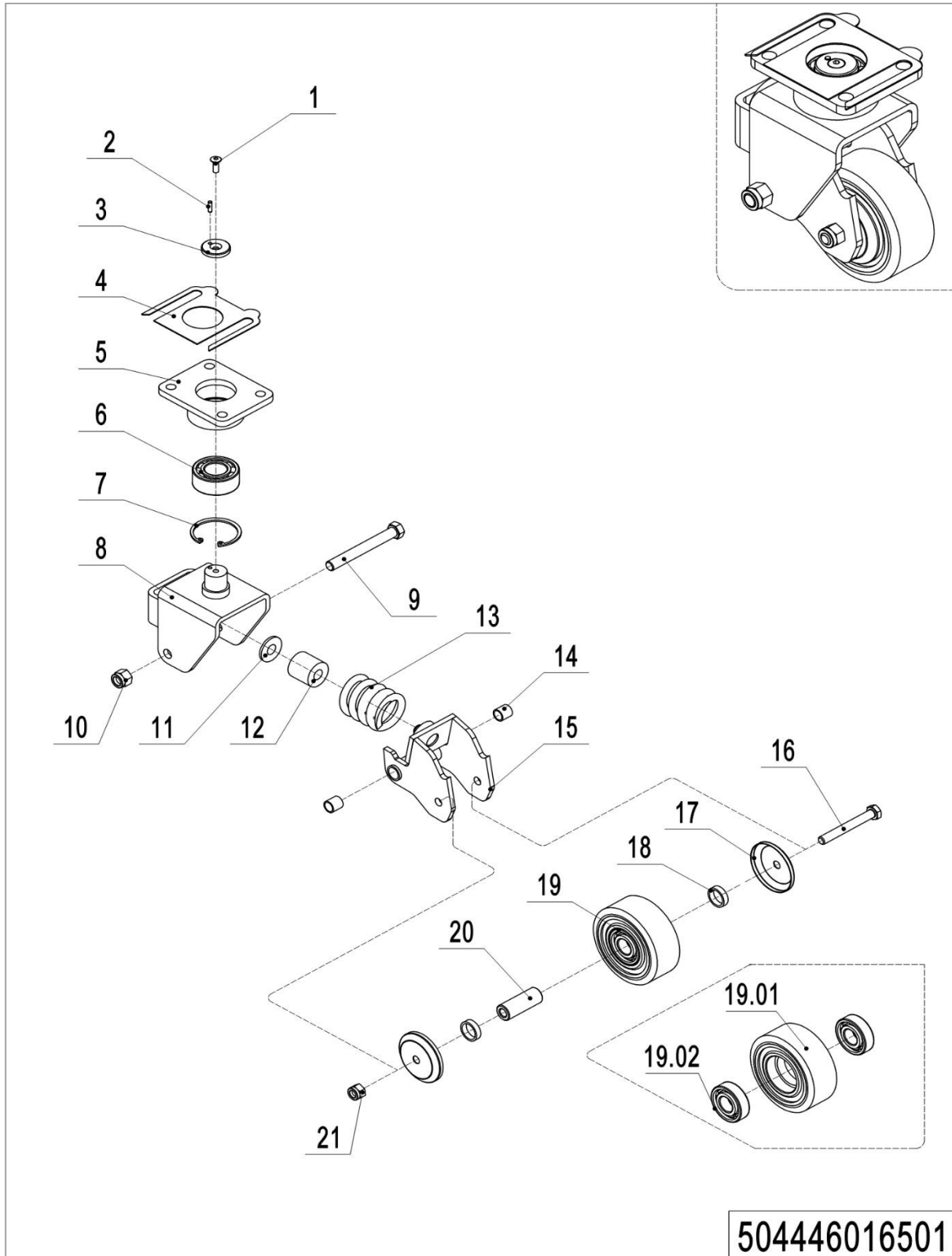
No.	Item Code	Mark	Item Description	Qty.	Substitute	Note
1	910600400027	1	Spring Pin	8		
2	505638520038		Pin	2		
3	911200100001		Oil Cup	2		
4	940500100012		Bushing	4		
5	505638520036		Riser	2		EU
5	504738520054		Riser	2		US
6	940500200003		Bushing	2		
7	502398510003		Pulley components	2		
7.01	910300500005	1	Nut	2		
7.02	505638520039		Running Pulley	2		
7.03	910100100035	1	Bolt	2		
8	505617020001		Plate	4		
9	505617020000		Axle	4		
10	505198510001		Wheel	4		US 80 low-play
10	505698510003		Wheel	4		
10.01	940300300078		WheelΦ74x84	4		US 80 low-play
10.01	940300300010		WheelΦ84x84	4		
10.02	910700200019		Bearing	8		

**04 Load Wheel (Single) (505646017002)**

## 04 Load Wheel (Single) (505646017002)

No.	Item Code	Mark	Item Description	Qty.	Substitute	Note
1	910600400027	1	Spring Pin	4		
2	505638520038		Pin	2		
3	911200100001		Oil Cup	2		
4	940500100012		Bushing	4		
5	505638520036		Riser	2		EU
5	504738520054		Riser	2		US
6	505198510002		Wheel	2		US 80 low-play
6	505698510004		Wheel	2		US 83 low-play
6.01	940300300015		Wheel $\Phi$ 74x110	2		US 80 low-play
6.01	940300300006		Wheel $\Phi$ 82x110	2		US 83 low-play
6.02	910700200019		Bearing	4		
7	502398510003		Pulley components	2		
7.01	910300500005		Nut	2		
7.02	505638520039		Running Pulley	2		
7.03	910100100035	1	Bolt	2		
8	505617020002		Axle	2		
9	910600400030	1	Spring Pin	4		

## 05 Caster (504446016501)

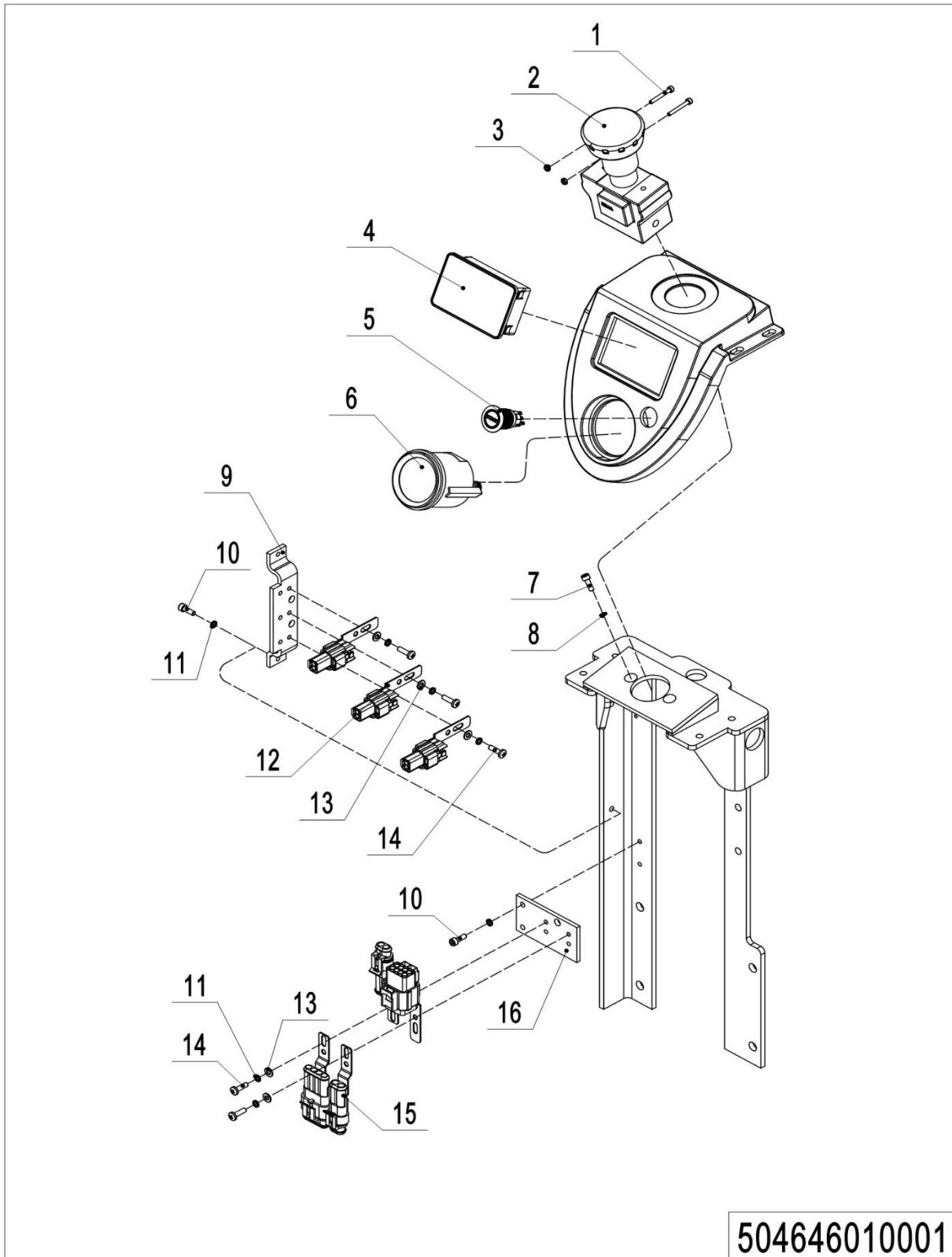


## 05 Caster (504446016501)

No.	Item Code	Mark	Item Description	Qty.	Substitute	Note
1	941100300001	1	Screw	1		
2	910600100004	1	Cylindrical Pin	1		
3	505616520007	1	Retaining Ring	1		
4	505616520014		Pad	1		
5	504416510002	2	Plate	1		
6	910700500002		Bearing	1		
7	910401400016	1	Circlip	1		
8	505616510001		Roller Frame	1		
9	941100200002		Bolt	1		
10	910300500006	1	Nut	1		
11	565411020014		Washer	1		
12	505616520000		Spring	1		
13	940400500084	1	Spring	1		
14	940500100002		Bushing	2		
15	505616510003	2	Whirling Arm	1		
16	910100100038	1	Bolt	1		
17	505616520011		Dust Cap	2		
18	505616520012	1	Check Ring	2		
19	505698510000		Wheel	1		
19.01	910700200019		Bearing	2		
19.02	940300300018		WheelΦ100x40	1		
20	505616520013	1	Bushing	1		
21	910300500005		Nut	1		

## Chapter 5: Electrical Parts

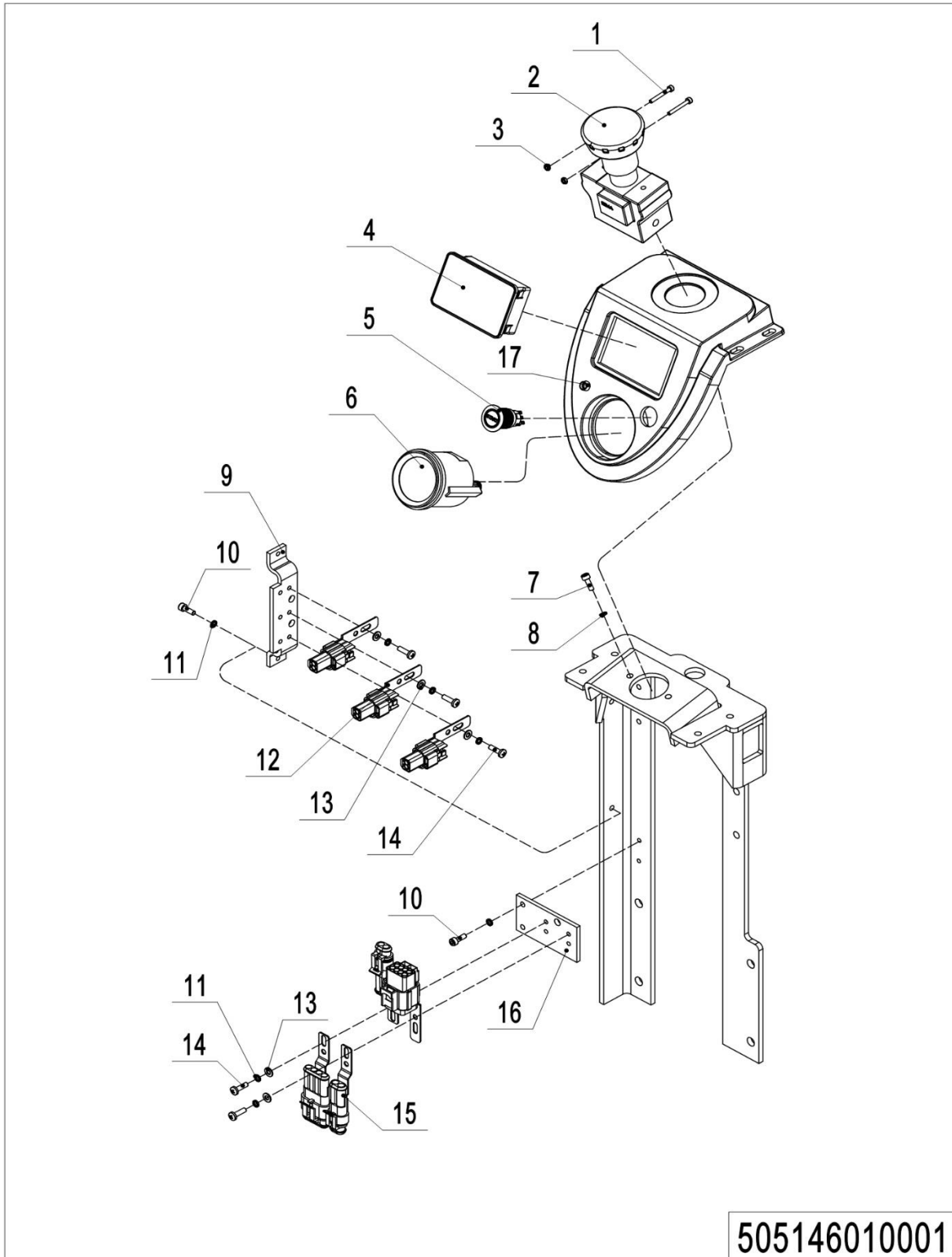
### 01 Display Assembly (504646010001)



504646010001

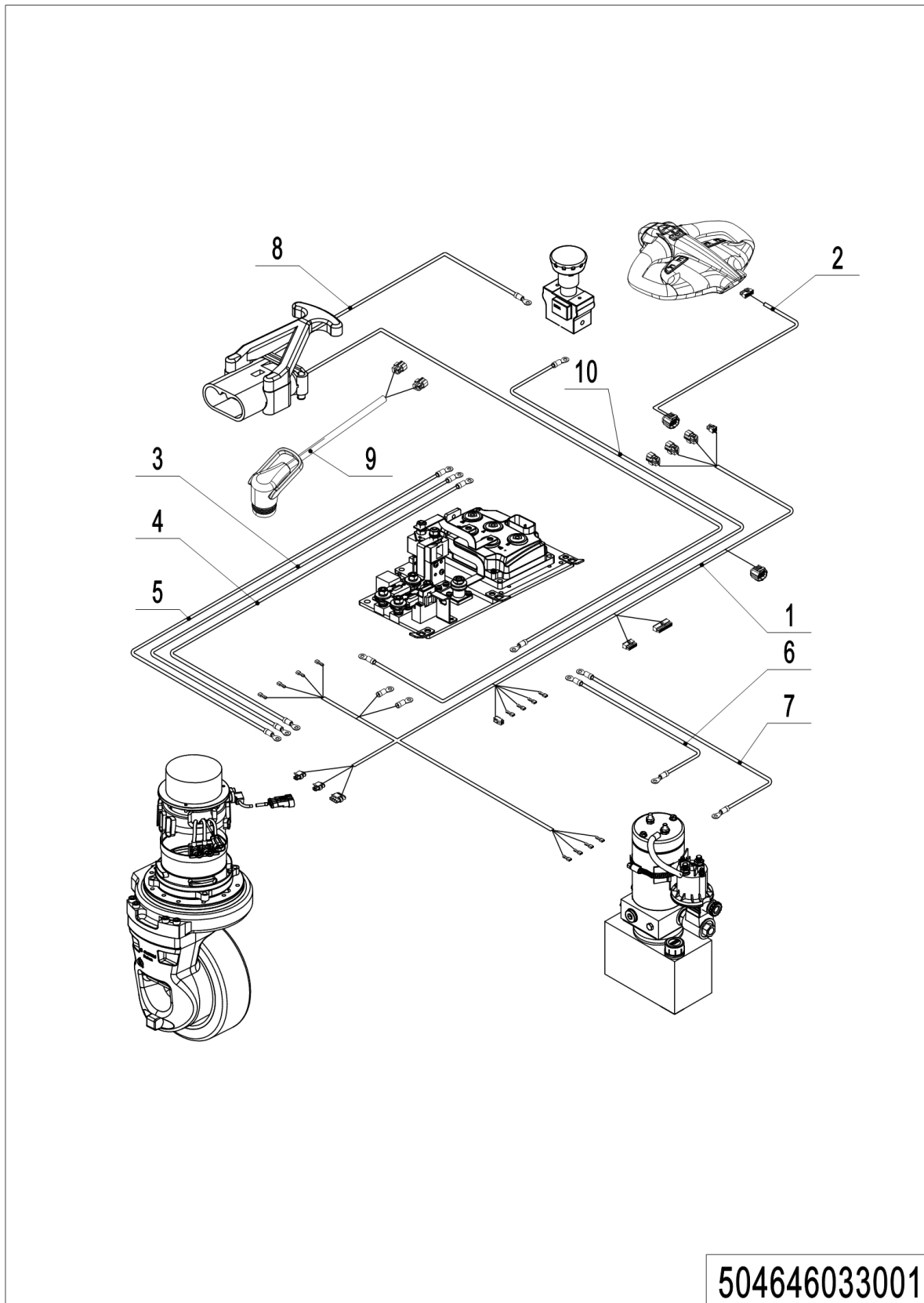
## 01 Display Assembly (504646010001)

No.	Item Code	Mark	Item Description	Qty.	Substitute	Note
1	910200500016		Screw	2		
2	920200100031		Button	1		
3	910300100002		Nut	2		
4	920200200071		Coded Lock	1		
5	532233010023		Button	1		
6	921100100135		Protective Cover	1		<b>F2A</b>
7	910200200023		Screw	2		
8	910400500004		Spring Washer	2		
9	504421520023		Bracket	1		
10	910200200014		Screw	4		
11	910400500003		Spring Washer	10		
12	921300300005		Holder	5		
13	910400100003		Flat Washer	3		
14	910200500022		Screw	6		
15	921300300010		Connector Holder	3		
16	504421520024		Plate	1		

**02 Display Assembly(Built-in charger) (505146010001)**

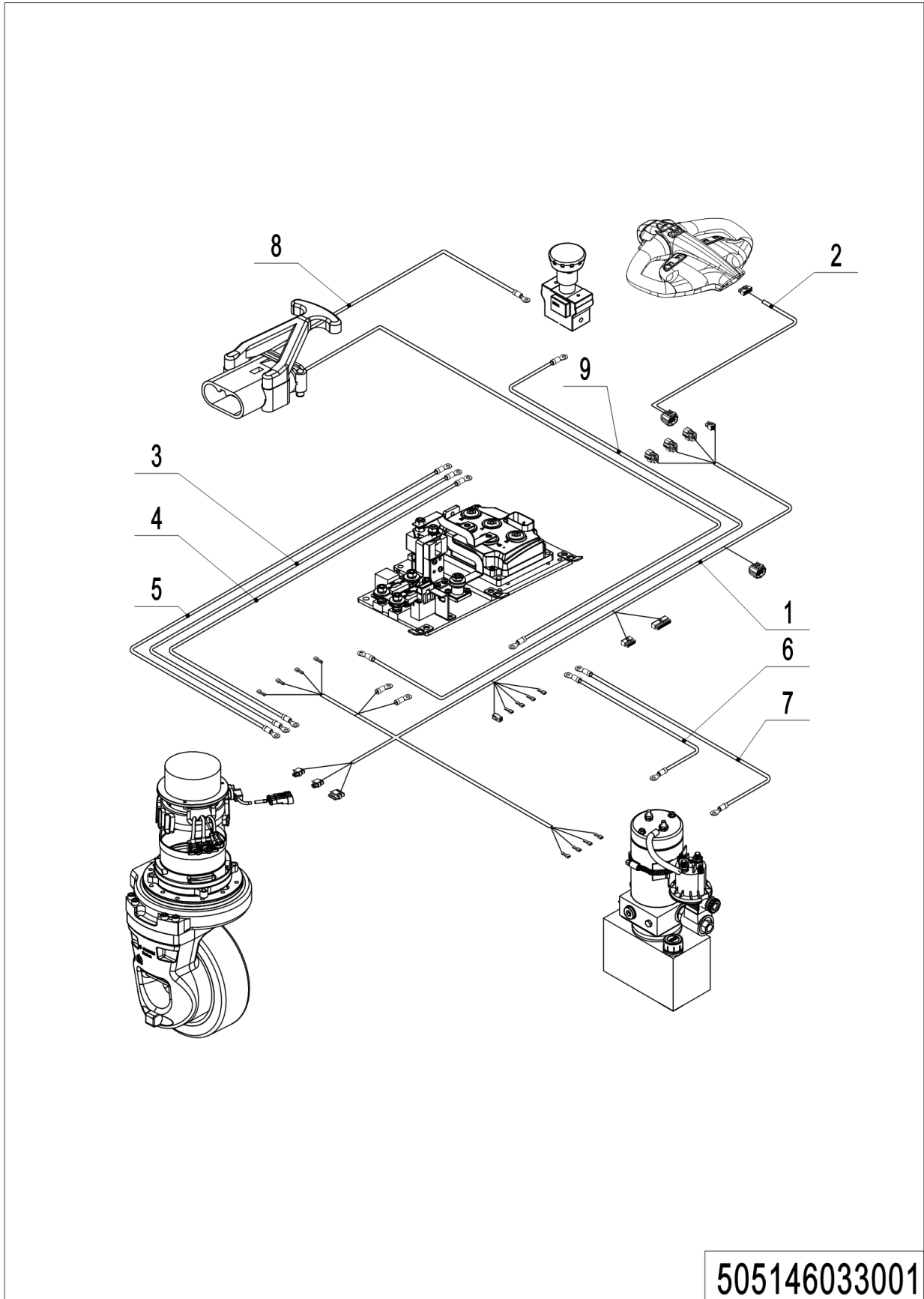
## 02 Display Assembly(Built-in charger) (505146010001)

No.	Item Code	Mark	Item Description	Qty.	Substitute	Note
1	910200500016		Screw	2		
2	920200100031		Button	1		
3	910300100002		Nut	2		
4	920200200071		Coded Lock	1		
5	532233010023		Button	1		
6	921100100135		Protective Cover	1		<b>F2A</b>
7	910200200023		Screw	2		
8	910400500004		Spring Washer	2		
9	504421520023		Bracket	1		
10	910200200015		Screw	4		
11	910400500003		Spring Washer	10		
12	921300300005		Holder	5		
13	910400100003		Flat Washer	4		
14	910200500022		Screw	6		
15	921300300010		Connector Holder	3		
16	504421520024		Plate	1		
17	922000100024		Lamp Holder	1		

**03 Wire Harness(100Ah、 F2A) (504646033001)**

## 03 Wire Harness(100Ah、 F2A) (504646033001)

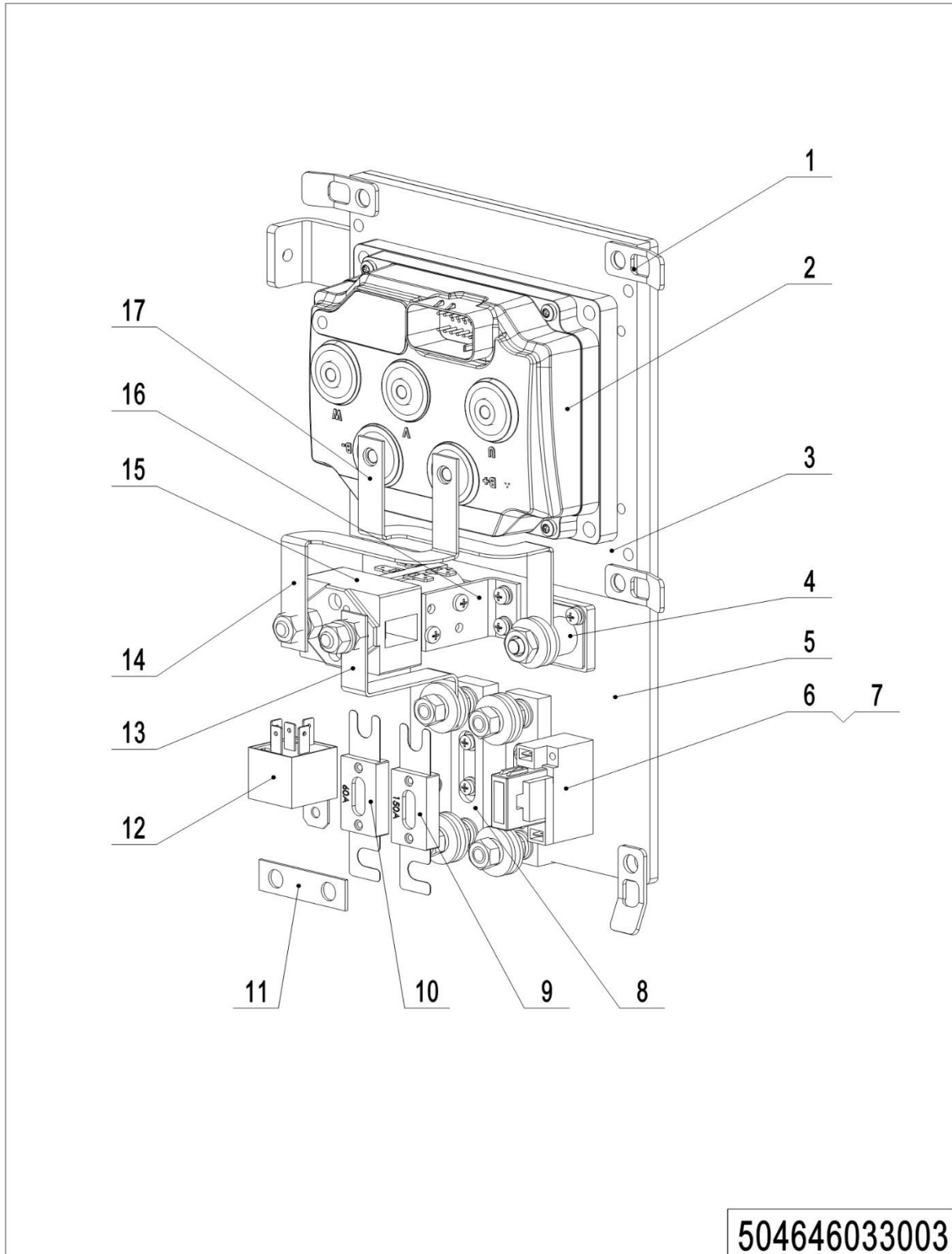
No.	Item Code	Mark	Item Description	Qty.	Substitute	Note
1	504633010013		Wire Harness	1		
1	504633010018		Wire Harness	1		Built-in charger(F2A)
2	504633010016		Wire Harness	1		
3	504633010008		Wire Harness	1		
4	504633010009		Wire Harness	1		
5	504633010010		Wire Harness	1		
6	504633010003		Wire Harness	1		
6	504633010019		Wire Harness	1		Built-in charger(F2A)
7	504633010004		Wire Harness	1		
8	504633010011		Wire Harness	1		
9	921500100293		Wire Harness	1		
10	504633010007		Wire Harness	1		

**04 Wire Harness(150Ah、 F2A) (505146033001)**

## 04 Wire Harness(150Ah、 F2A) (505146033001)

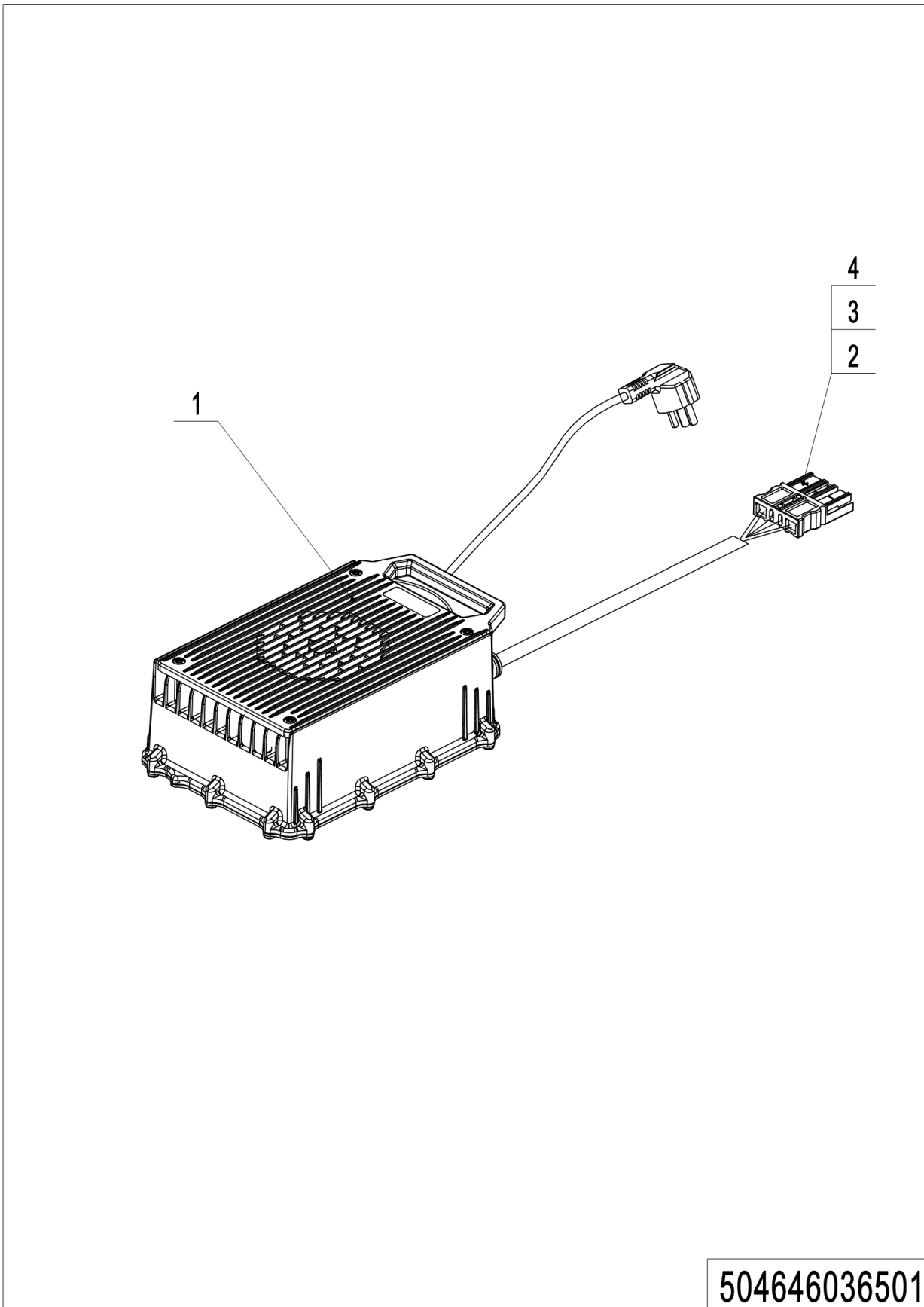
No.	Item Code	Mark	Item Description	Qty.	Substitute	Note
1	505133010001		Wire Harness	1		
1	505133010004		Wire Harness	1		Built-in charger(F2A)
2	504633010016		Wire Harness	1		
3	504633010008		Wire Harness	1		
4	504633010009		Wire Harness	1		
5	504633010010		Wire Harness	1		
6	504633010003		Wire Harness	1		
6	504633010019		Wire Harness	1		Built-in charger(F2A)
7	504633010004		Wire Harness	1		
8	505133010002		Wire Harness	1		
9	504633010007		Wire Harness	1		

## 05 Controller(F2A) (504646033003)



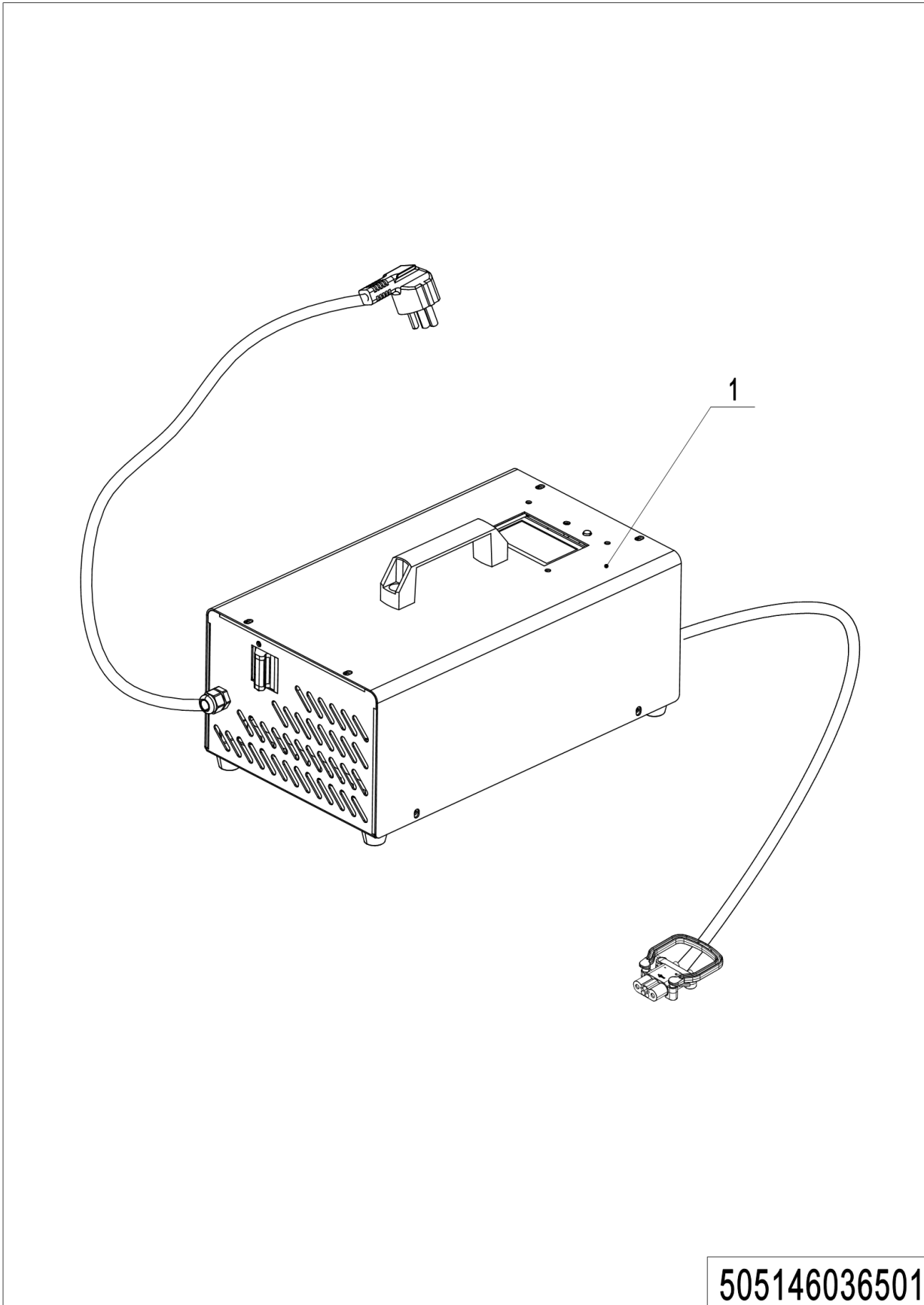
## 05 Controller(F2A) (504646033003)

No.	Item Code	Mark	Item Description	Qty.	Substitute	Note
1	921300200012		Pipe Clip	4		
2	505133210001		controller	1		
3	504621520012		Aluminum Plate	1		
4	920100400001		Fuse Holder	1		
5	504621520011		Mounting Plate	1		
6	920100400006		Fuse Holder	1		
7	920100200002		Fuse	1		
8	920100400002		Fuse Holder	2		
9	920100100007		Fuse	1		
10	920100100004		Fuse	1		
11	505633020003		Copper Busbar	1		
12	920800100011		Relay	1		
13	505633020002		Copper Busbar	1		
14	505633020007		Copper Busbar	1		
15	920700100004		Fixing Mount	1		
16	921300400001		Holder	1		
17	505633020008		Copper Busbar	1		

**06 Charger-lithium battery 100Ah (504646036501)**

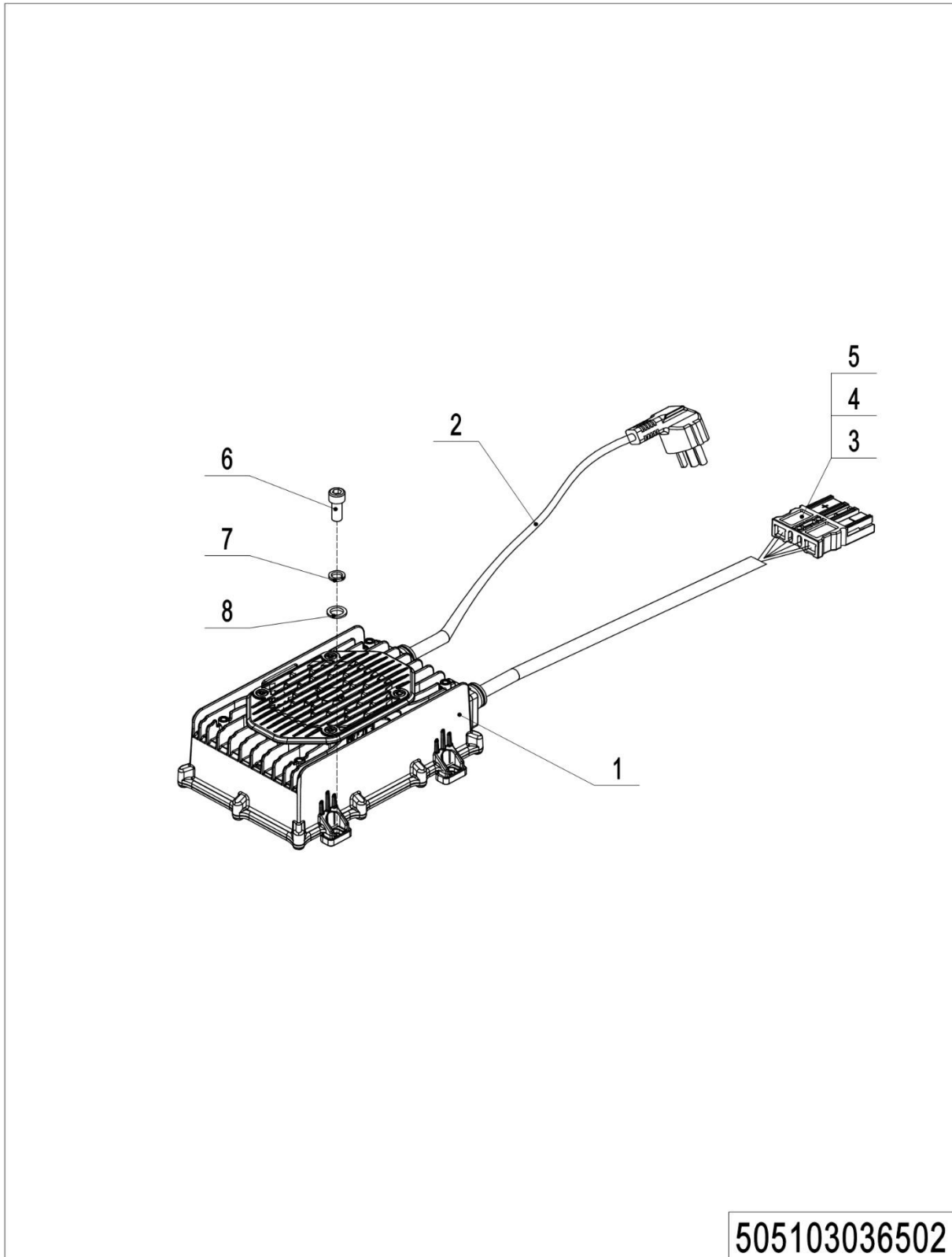
## 06 Charger-lithium battery 100Ah (504646036501)

No.	Item Code	Mark	Item Description	Qty.	Substitute	Note
1	921000200901		Charger24V40A(EU-220V)	1		
2	921500200084		Wire Harness 3x1.5(AS)	1		
2	921500200085		Wire Harness 3x1.5(EU)	1		
2	921500200086		Wire Harness 3x1.5(AUS)	1		
2	921500200087		Wire Harness 3x1.5(ENG)	1		
2	921500200088		Wire Harness 3x1.5(US)	1		
2	921500200089		Wire Harness 3x1.5(AE)	1		
2	921500200090		Wire Harness 3x1.5(ITY)	1		
2	921500200091		Wire Harness 3x1.5(SWE)	1		
2	921500200092		Wire Harness 3x1.5(IL)	1		
2	921500200093		Wire Harness 3x1.5(BRA)	1		
2	921500200094		Wire Harness 3x1.5(SA)	1		
2	921500200095		Wire Harness 3x1.5(JP)	1		
2	921500200096		Wire Harness 3x1.5(IND)	1		
2	921500200097		Wire Harness 3x1.5(PE)	1		
3	920400100057		Connector	1		
4	920400100045		Pin	2		
5	920400100047		Pin	2		

**07 Charger-lithium battery 150Ah (505146036501)**

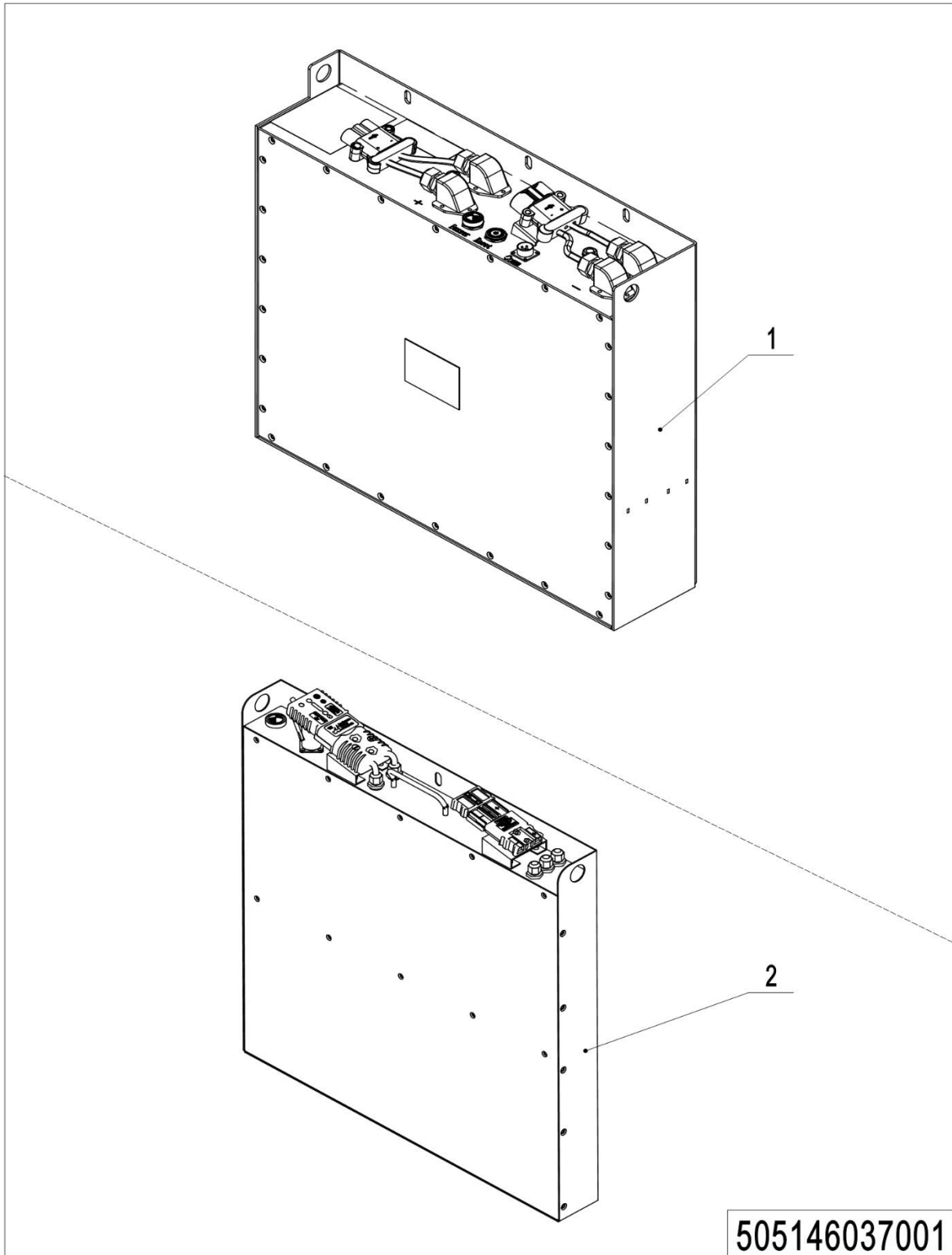
## 07 Charger-lithium battery 150Ah (505146036501)

No.	Item Code	Mark	Item Description	Qty.	Substitute	Note
1	921000200973		Charger24V80A(AS ENG-220V)	1		
1	921000200974		Charger24V80A(EU-220V)	1		
1	921000200975		Charger24V80A(ENG-220V)	1		
1	921000200976		Charger24V80A(AUS-220V)	1		
1	921000200977		Charger24V80A(IL-220V)	1		
1	921000200978		Charger24V80A(AE-220V)	1		
1	921000200980		Charger24V80A(Small RSA-220V)	1		
1	921000200981		Charger24V80A(large RSA-220V)	1		
1	921000200982		Charger24V80A(THA-220V)	1		
1	921000200762		Charger24V80A(BRA-220V)	1		
1	921000201015		Charger24V60A(EU-220V)	1		
1	921000201016		Charger24V60A(ENG-220V)	1		
1	921000201017		Charger24V60A(AUS-220V)	1		
1	921000201018		Charger24V60A(IL-220V)	1		
1	921000201019		Charger24V60A(AE-220V)	1		
1	921000201020		Charger24V80A (small RSA-220V)	1		
1	921000201021		Charger24V80A(large RSA-220V)	1		
1	921000201022		Charger24V60A(THA-220V)	1		
1	921000201098		Charger24V60A(BRA-220V)	1		
1	921000200652		Charger24V60A(USA-220V)	1		

**08 Built-in charger (505146036502)**

## 08 Built-in charger (505146036502)

No.	Item Code	Mark	Item Description	Qty.	Substitute	Note
1	921000100137		Li-ChargerWT24V20A(MTL)	1		150Ah、 Built-in charger
1	921000100136		Li-ChargerWT24V20A	1		100Ah、 Built-in charger
2	921500200002		Spring Cable(USA)	1		
2	921500200005		Spring Cable(EU)	1		
3	920400100057		Sheath	1		
4	920400100045		Pin	2		
5	920400100047		Pin	2		
6	910200200022		Screw	4		
7	910400500004		Spring Washer	4		
8	910400100004		Flat Washer	4		

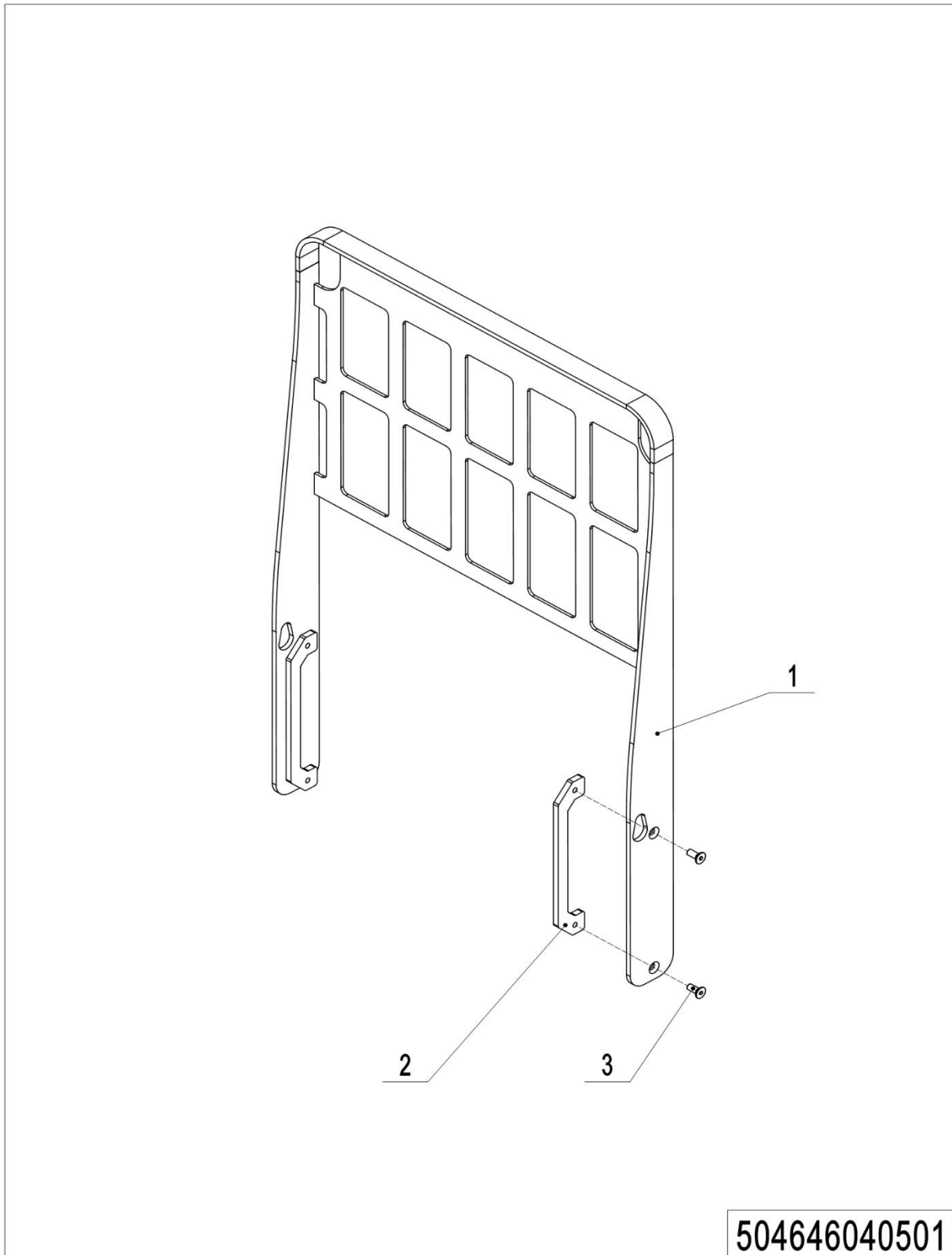
**09 lithium battery (505146037001)**

## 09 lithium battery (505146037001)

No.	Item Code	Mark	Item Description	Qty.	Substitute	Note
1	920600100928		lithium battery 24V150Ah	1		LN
1	920600100991		lithium battery 24V150Ah	1		LN(FDE(With heating)- 150Ah、 Built-in charger
2	920600100734		lithium battery 24V100Ah	1		FDE
2	920600100890		lithium battery 24V100Ah	1		FDE(With heating)- 100Ah、 Built-in charger

## Chapter 6: Special Parts

### 01 Load Backrest (504646040501)



## 01 Load Backrest (504646040501)

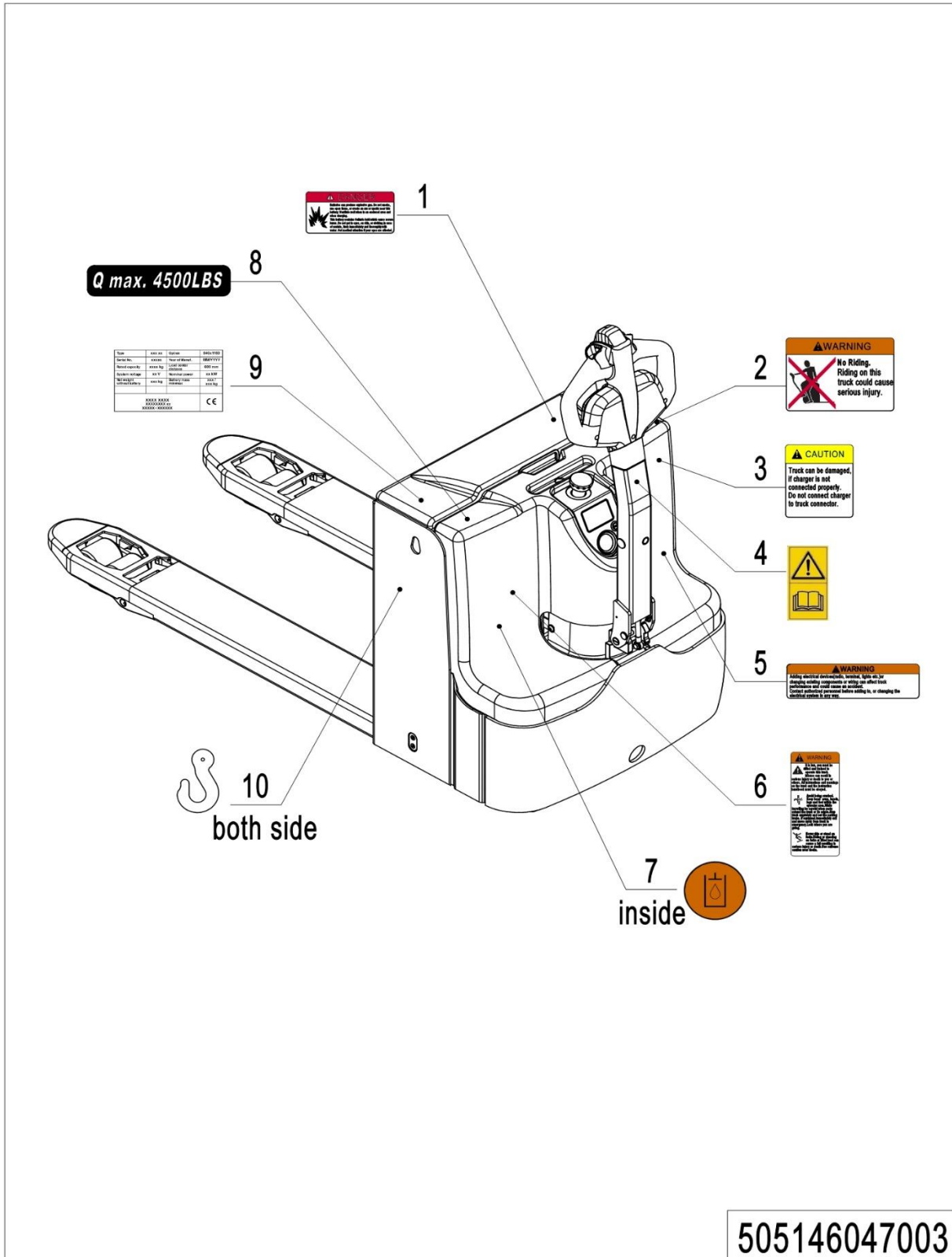
No.	Item Code	Mark	Item Description	Qty.	Substitute	Note
1	505140510003		Load Backrest	1		EU
1	505140510001		Load Backrest	1		(US 54")
1	505140510002		Load Backrest	1		(US 60")
2	505121520012		Mounting Plate	2		
3	910200400036	1	Screw	4		



## 01 Labels and Decals (EU) (505146047002)

No.	Item Code	Mark	Item Description	Qty.	Substitute	Note
1	941200100003		Label	1		
2	505147520014		Truck data plate	1		540x1150-24V100Ah
2	505147520015		Truck data plate	1		685x1150-24V100Ah
2	505147520002		Truck data plate	1		540x1150-24V150Ah
2	505147520003		Truck data plate	1		685x1150-24V150Ah
2	505147520010		Truck data plate	1		540x1150-24V100Ah (Built-in charger)
2	505147520011		Truck data plate	1		685x1150-24V100Ah (Built-in charger)
2	505147520008		Truck data plate	1		540x1150-24V150Ah (Built-in charger)
2	505147520009		Truck data plate	1		685x1150-24V150Ah (Built-in charger)
3	941200200023		Label	1		
4	941200300001		Label	1		
5	941200300002		Label	1		
6	941200300003		Label	2		

02 Labels and Decals (US) (505146047003)



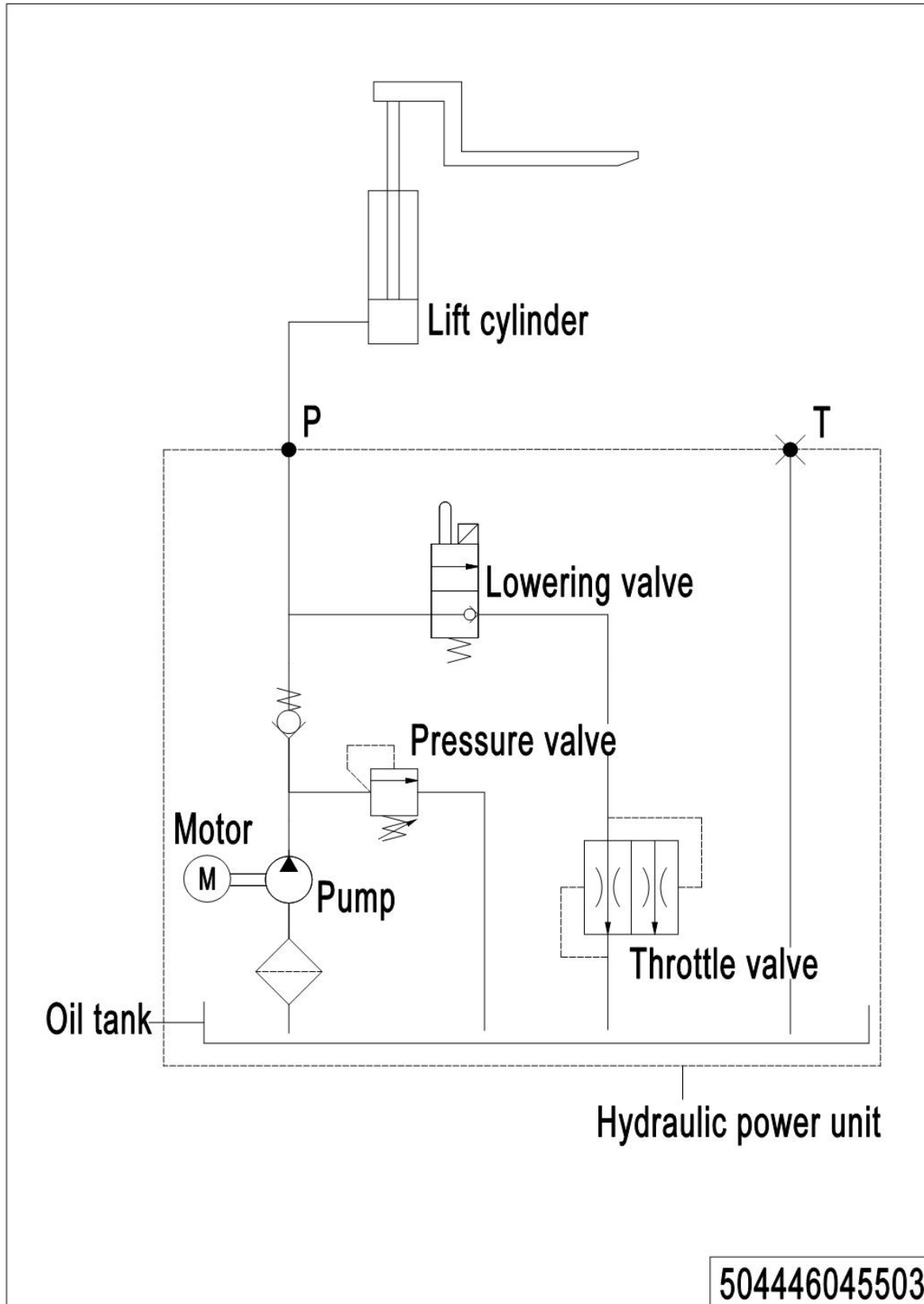
1= Supply as package. 2= Supply with constraints. 3= Phasing-out supply. 4= Supply as assembly. 5= Check other tables.

## 02 Labels and Decals (US) (505146047003)

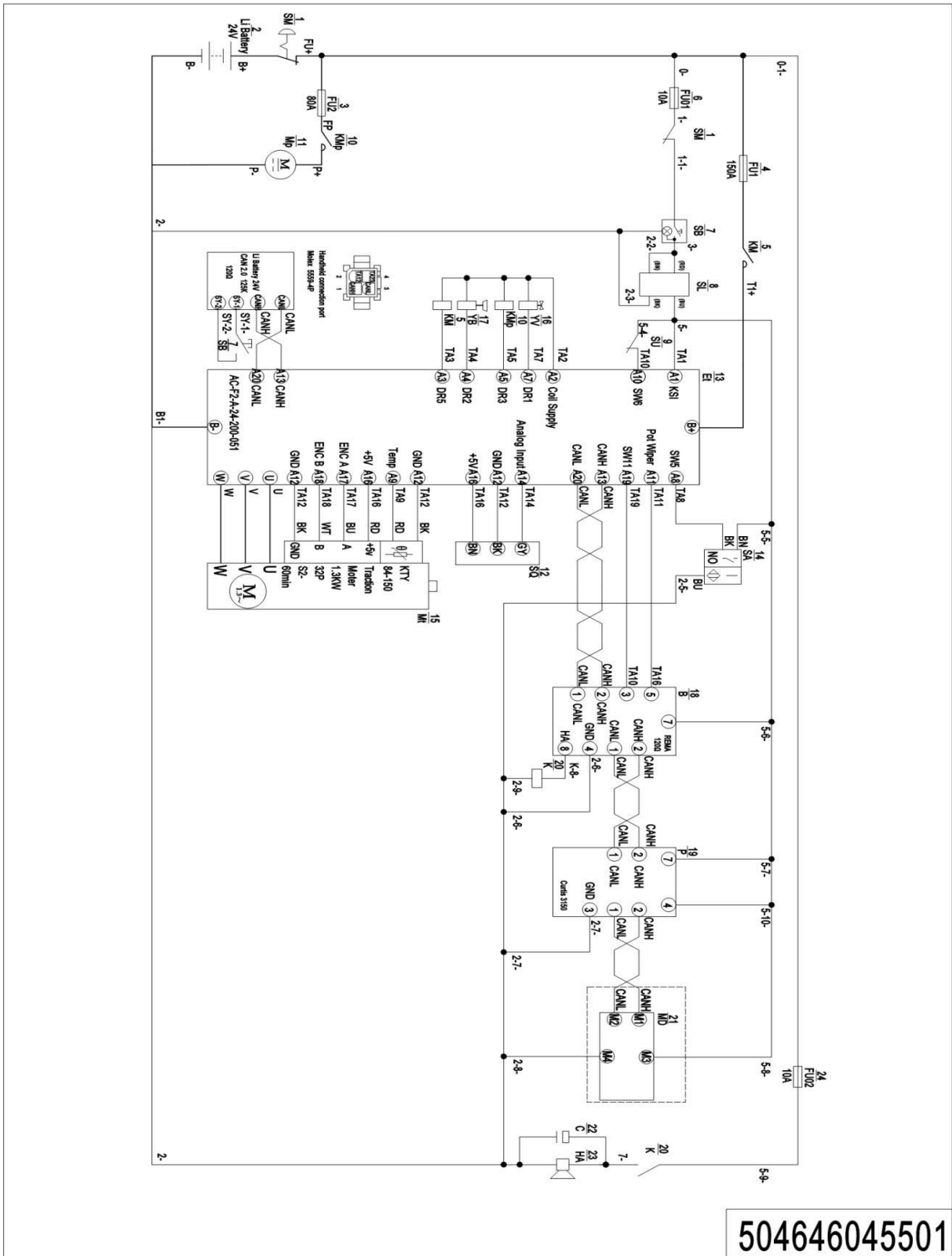
No.	Item Code	Mark	Item Description	Qty.	Substitute	Note
1	941200100013		Label	1		
2	941200100011		Label	1		
3	941200100012		Label	1		
4	941200300002		Label	1		
5	941200100010		Label	1		
6	941200100009		Label	1		
7	941200300003		Label	2		
8	941200200050		Label	1		
9	505147520014		Truck data plate	1		540x1150-24V100Ah
9	505147520015		Truck data plate	1		685x1150-24V100Ah
9	505147520002		Truck data plate	1		540x1150-24V150Ah
9	505147520003		Truck data plate	1		685x1150-24V150Ah
9	505147520010		Truck data plate	1		540x1150-24V100Ah (Built-in charger)
9	505147520011		Truck data plate	1		685x1150-24V100Ah (Built-in charger)
9	505147520008		Truck data plate	1		540x1150-24V150Ah (Built-in charger)
9	505147520009		Truck data plate	1		685x1150-24V150Ah (Built-in charger)
10	941200300001		Label	1		

## Appendix

## 01 Hydraulic Circuit Diagram (504446045503)

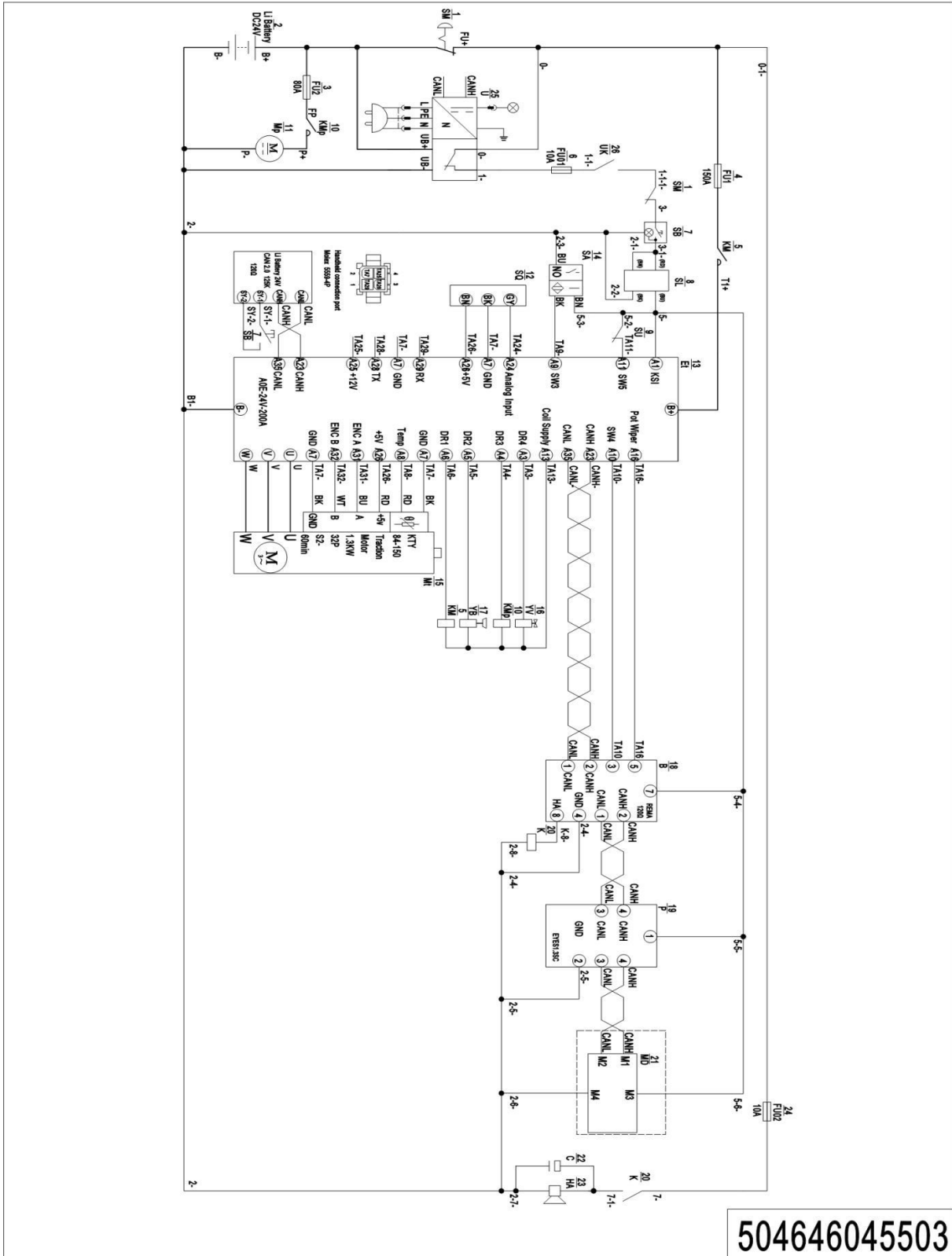


02 Electrical Circuit Diagram(F2A) (504646045501)



1= Supply as package. 2= Supply with constraints. 3= Phasing-out supply. 4= Supply as assembly. 5= Check other tables.

03 Electrical Circuit Diagram(F2A、 Built-in charger) (504646045503)



1= Supply as package. 2= Supply with constraints. 3= Phasing-out supply. 4= Supply as assembly. 5= Check other tables.

## 04 Consumable Parts List

No.	Item Code	Item Description	Qty.	Chapter/ Section/ Number
1	504498510000	Seal Kit	2	Chapter 2/01/10.01 Chapter 2/02/11.01
2	940500200001	Bushing	1	Chapter 1/01/5
3	940500100027	Bushing	8	Chapter 3/03/10 Chapter 3/04/10 Chapter 3/05/09 Chapter 3/06/09
4	940500100019	Bushing	10	Chapter 2/01/02 Chapter 3/03/11 Chapter 3/04/11 Chapter 3/05/10
5	940500400028	Bushing	10	Chapter 2/02/02 Chapter 3/03/11 Chapter 3/04/11 Chapter 3/05/10
6	940500100032	Bushing	8	Chapter 3/03/12 Chapter 3/04/12 Chapter 3/05/11 Chapter 3/06/11
7	940500400030	Bushing	8	Chapter 3/04/10 Chapter 3/04/10 Chapter 3/05/09 Chapter 3/06/09
8	940500400037	Bushing	8	Chapter 3/04/12 Chapter 3/04/12 Chapter 3/05/11 Chapter 3/06/11
9	940500100017	Bushing	8	Chapter 3/04/20 Chapter 3/07/19
10	940500100012	Bushing	4	Chapter 3/03/16.04 Chapter 3/04/16.04 Chapter 3/05/15.04 Chapter 3/06/15.04 Chapter 4/03/04 Chapter 4/04/04
11	911200100001	Oil Cup	5	Chapter 3/03/15.05 Chapter 3/04/15.05 Chapter 3/05/16.05 Chapter 3/06/16.05
12	940500200003	Bushing	2	Chapter 4/03/06
13	910700500002	Bearing	1	Chapter 4/05/6
14	910700200019	Bearing	8	Chapter 4/03/10.02 Chapter 4/04/6.02 Chapter 4/05/19.01
15	920100200002	Fuse 10A	1	Chapter 5/07/07 Chapter 5/08/07
16	920100100007	Fuse 150A	1	Chapter 5/07/09 Chapter 5/08/09
17	920100100004	Fuse 80A	1	Chapter 5/07/10 Chapter 5/08/10